



Simplex Bag Filters

Single or Double Length - PPL, PVDF



Features

- All-Plastic Construction
- PPL Offered in Single & Double Length; PVDF in Double Length
- Hand-Removable Cover
- Integral Mounting Flange
- External Cover Threads
- In-Line or Loop Flow
- FPM Seals

Options

- Flanged Connections
- EPDM Seals
- Pressure Differential Gauge and Switch
- Vent Gauge with Gauge Guard
- Multi-Vessel Manifolded Units
- 1/4" NPT Differential Pressure Gauge Holes

Corrosion Is Never a Problem

A metal filter housing will ultimately rust or corrode and contaminate the process media. There is no danger of this happening with a Hayward All-Plastic Simplex Bag Filter. It will never rust or corrode and never compromise the quality of the process fluid.

Wide Range of Filter Bags

Non-woven polypropylene filter bags are available in 1, 5, 10, 25, 50, 100 and 200 micron sizes. The retaining basket that holds the bag has a unique, universal seat that works with almost any standard 7" x 16" or 7" x 32" filter bag.

Extra Features, No Extra Cost

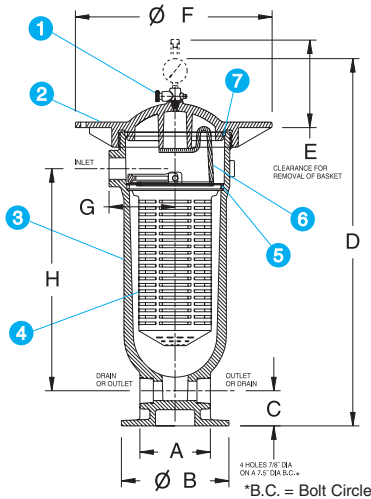
Features such as a vent/bleed valve installed on the cover of the polypropylene model and an integral mounting flange are all standard with every Hayward Simplex Bag Filter.

Easy Bag Change-Out

These filters are designed for easy service. A hand-removable cover and built-in basket and bag handles, make bag change-out fast and easy. No tools are needed and the filter is back in service in a matter of minutes. The external cover threads are not in contact with the process media – thus eliminating the need for cleaning each time the bag is changed. For extra strength the cover features specially designed buttress style threads.



Technical Information



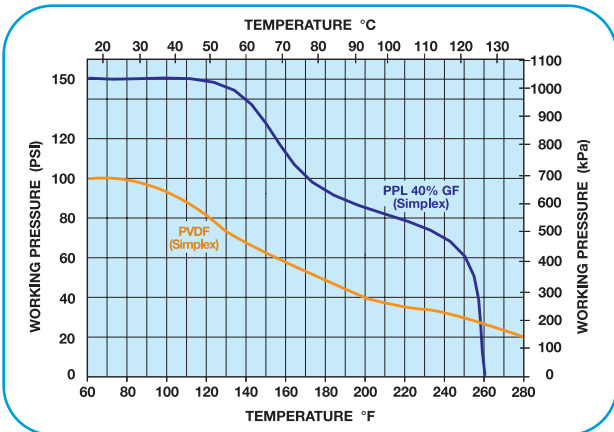
Parts List Simplex Bag Filter

1. Vent Valve with Optional Gauge (PPL Vessels Only)
2. Cover
3. Body (PPL Double & Single Length, PVDF Double Length Only)
4. Basket
5. Viton O-Ring
6. Bag Retainer
7. Viton O-Ring

Dimensions - Inches / Millimeters

Vessel Size	A	B	C	D	E	F	G	H	J	K	Weight (lb / kg)
Single Length	6.50 / 165	10.00 / 254	3.25 / 83	34.10 / 866	20.00 / 508	18.30 / 465	6.13 / 156	20.75 / 527	11.5 / 292	8.75 / 222	60 / 27
Double Length	6.50 / 165	10.00 / 254	3.25 / 83	50.10 / 1273	36.00 / 914	18.30 / 465	6.13 / 156	36.75 / 933	11.5 / 292	8.75 / 222	80 / 36

Operating Temperature/Pressure



Technical Specifications

- Material of Construction:** Glass-reinforced polypropylene – single & double length; PVDF – double length only
- Piping Connections:** PPL: 2" NPT threaded or 150# ANSI flange. PVDF: 2" flange
- Drain Connections:** PPL: 2" NPT threaded or 150# ANSI flange. PVDF: 2" flange
- Bag Size:** Single length - 7" x 16", 2.0 square feet; double length - 7" x 32", 4.1 square feet, PPL fabric and ring
- Pressure Rating:** PPL 150 PSI, PVDF 100 PSI
- Seals:** Viton® (EPDM optional)
- Nominal Bag Ratings:** 1, 5, 10, 25, 50, 100, 150, 200, 400, 600 and 800 microns. Universal seat accepts most standard 7" diameter bags
- Flow Rate:** Single length, 50 gpm with clean bag; double length, 100 gpm with clean bag

Corzan® is a registered trademark of Noveon, Inc.
Viton® is a registered trademark of DuPont