



Simplex Bag Filters

Single or Double Length - PVC or Corzan® CPVC



Corrosion Is Never a Problem

A metal filter housing will ultimately rust or corrode and contaminate the process media. This can never happen with a Hayward PVC or CPVC all plastic filter bag housing. It will never rust, corrode, or contaminate the process media. The housing weighs much less than a metal one making installation easier.

Accepts Most Standard Filter Bags

For application versatility the housing will accept most standard 7" diameter filter bags. The single length vessel uses Size 01 bags, 7" x 16". While the double length vessel uses Size 02 bags, 7" x 32". This permits the vessel to be used with thousands of different types of filter bags to exactly match the application requirements. With a Hayward PVC or CPVC Bag Filter Vessel you are not limited to just a few "non-standard" size bags.

Advanced Design

This all plastic filter housing is designed to stand up to the most demanding industrial and commercial applications around. Rugged, thick wall construction ensures years of trouble free service and the housing is rated at a full 150 PSI. The built in true union piping and drain connections make installation and operation quick and easy. With this feature the filter housing can be removed from the piping system without having to break down the piping system. Just unscrew the assembly nut and remove the connecting pipe. The integral mounting base also makes for an easy installation and eliminates the need for extra cost support legs. The housing has two bottom outlet connections so that either can be used as a drain connection. This makes both in-line or loop piping installations possible. The one-piece, corrosion resistant plastic body has an extremely smooth interior surface that is very easy to clean.

Easy Bag Change

The hand removable, no tools required, spin-off cover makes filter bag changing quick and easy. There are no swing bolts to deal with like on a metal filter housing. Just a few turns of the cover using the built-in 15" handle opens and closes the housing with little effort.

Features

- All Plastic, No Metal Contacts the Flow
- Accepts Standard Size Filter Bags
- Choose from PVC or CPVC Construction
- Hand Removable Cover
- True Union Piping Connections
- Integral Mounting Base
- In-Line or Loop Piping Installations
- FPM Seals
- Vent Connection On Cover with Valve

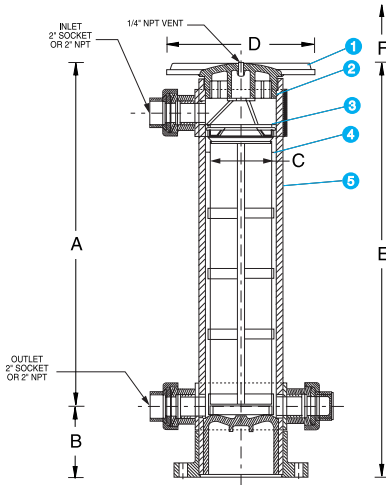
Options

- Flanged Connections
- EPDM Seals
- Pressure Differential Gauge and Switch
- Multi-Vessel Manifolder Units
- 1/4" NPT Pressure Differential Gauge Taps (Requires Spools)
- Heavy Duty Shrouded Vent Valve Assembly

Corzan® is a registered trademark of Noveon, Inc.



Technical Information



Parts List Simplex Bag Filter Housing

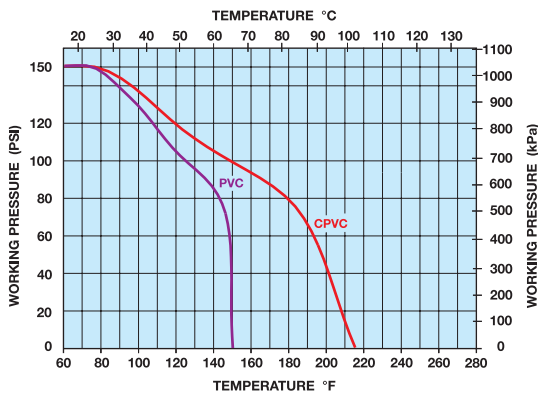
1. Cover - PVC or CPVC
2. O-Ring - Viton® (EPDM Optional)
3. Bag Hold Down - PVC or CPVC
4. Restrainer Basket - PVC or CPVC
5. Body - PVC or CPVC

Dimensions - Inches / Millimeters

Vessel Size	A	B	C	D	E	F *	Weight (lb / kg)
Single Length	13.75 / 349	7.87 / 200	6.13 / 156	15.0 / 381	26.63 / 676	16.0 / 407	50 / 23
Double Length	29.75 / 756	7.87 / 200	6.13 / 156	15.0 / 381	42.63 / 1083	32.0 / 813	75 / 34

Note: * Clearance from top for basket removal

Operating Temperature/Pressure



Technical Specifications

Material of Construction: PVC or CPVC

Piping Connections: True Union 2" Socket, NPT Threaded or Optional 150# ANSI Flanged

Drain Connections: True Union 2" Socket, NPT Threaded or Optional 150# ANSI Flanged

Bag Size: Single Length - Size 01, 7" x 16"
Double Length - Size 02, 7" x 32"

Pressure Rating: 150 PSI at 70°F Non-Shock

Seals: Viton (EPDM optional)

Nominal Bag Ratings: PPL bags, 1, 5, 10, 25, 100, 150, 200, 400, 600, and 800 microns. Universal seat accepts most standard single and double length bags

Flow Rate: With clean bag, Double Length 100 gpm, Single Length 50 gpm

Corzan® is a registered trademark of Noveon, Inc.
Viton® is a registered trademark of DuPont