


PP VERSION

PVDF VERSION

GDS SERIES

DOUBLE SIDED LIQUID FILLED
PRESSURE GAUGE & ISOLATOR

KEY FEATURES

- All Thermoplastic Double Sided Gauge
- Heavy Duty Rugged Design; Simple to Install
- Completely Corrosion Resistant
- For use as a Visual Pressure Alert for Change-Out or BAG Replacement
- PP body with FPM Diaphragm or PVDF body with PTFE diaphragm
- High Accuracy of 1.5%
- Factory Pre-Filled Glycerin / Vacuum
- No Filling Required
- One-Piece Molded Design (No Assembly)
- Suitable for Corrosive Media + Slurries

TECHNICAL INFORMATION

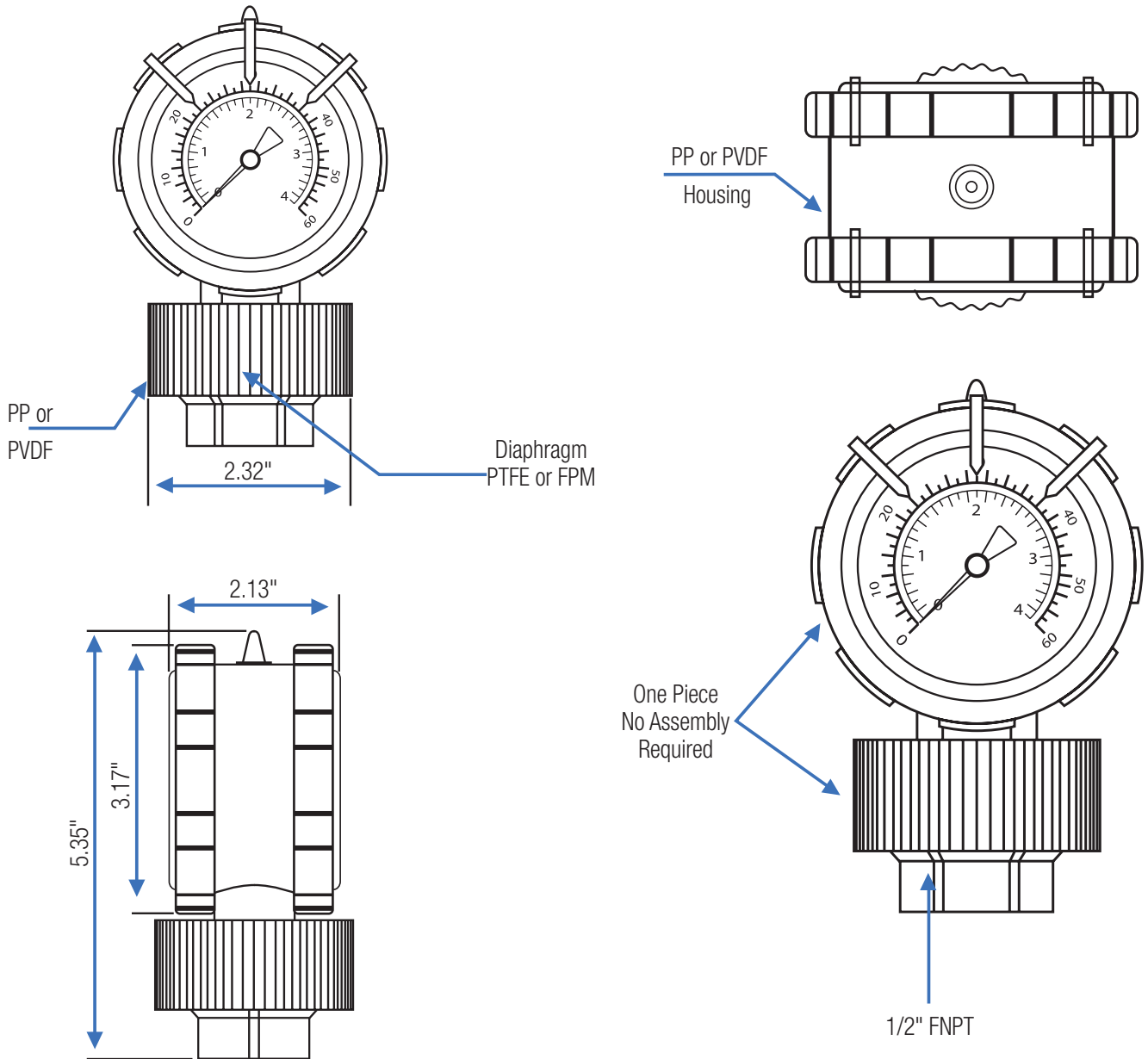
SPECIFICATIONS

DIAL DIAMETER	Large 2-1/2" Face (Big Numbers-Clear Markers)
MOUNTING	Direct Mount, Bottom Connection FNPT 1/2"
HOUSING	PVDF or Polypropylene with FPM or PTFE Diaphragm-One Piece Molded Design (No Assembly or Filling Required)
LENS	Safety Glass
DIAL	Red & Black Scale White Background, dial arc 270°
MEASURING PRINCIPLE	Bourdon Tube-SS316 (Non Wetted) Diaphragm (Wetted Part) - FPM (Standard)
MOVEMENT	SS316 (Non Wetted)
GAUGE	3 Adjustable Plastic Markers-Pressure Range Pointers fitted on the Bezel (Green, Yellow, Red)
CONNECTION	1/2" FNPT
FILLING	Glycerin Filled
ACCURACY	±1.5% F.S.
OPERATING TEMPERATURE	Max. Working Temp. PVDF-195°F / 90°C, PP-170°F / 76°C
PRESSURE RANGE	Standard range 0-60 / 0-100 / 0-160 PSI (Second Scale: Bar) Other units available, e.g., MPa, etc.

GDS Series

DOUBLE SIDED LIQUID FILLED
PRESSURE GAUGE & ISOLATOR

DIMENSIONS & FEATURES



Hayward is a registered trademark
of Hayward Industries, Inc.
© 2018 Hayward Industries, Inc.

USA: 1.888.429.4635 • Fax: 1.888.778.8410 • One Hayward Industrial Drive • Clemmons, NC 27012 • Email: hfcsales@hayward.com
Canada: 1.888.238.7665 • Fax: 1.905.829.3636 • 2880 Plymouth Drive • Oakville, ON L6H 5R4 • Email: hflowcanada@hayward.com
Visit us at: haywardflowcontrol.com