



Valve-Safe Lockouts

FOR BALL VALVES UP TO 6"

KEY FEATURES (A)

- For Ball Valves up to 6"
- Latches and Lockable in Open / Close Position
- Simple Trigger Mechanical Design
- Can Use with Lockout / Tagout Hasp

KEY FEATURES (B)

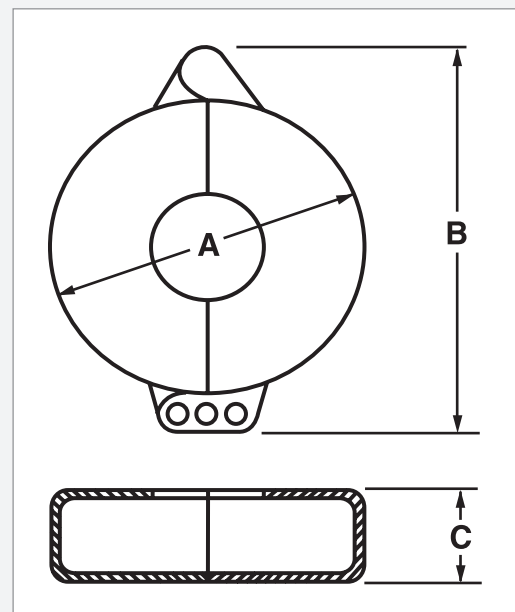
- PP Housing Material
- For All Ball Valves up to 6"
- Use with up to 3 Padlocks

TECHNICAL INFORMATION

DIMENSIONS – INCHES / MILLIMETERS

SIZE in / DN	A in / mm	B in / mm	C in / mm
1/2" to 2" Ball Valves (DN15 – DN50)	5.50 / 140	7.00 / 178	1.75 / 44
2-1/2" to 6" Ball Valves (DN63 – DN150)	14.50 / 368	16.00 / 406	3.00 / 76

Dimensions are subject to change without notice – consult factory for installation information



Hayward is a registered trademark and QIC2 is a trademark of Hayward Industries, Inc. © 2011 Hayward Industries, Inc.

Contact Hayward Flow Control with questions: 1-888-429-4635 • Fax: 1-888-778-8410 • One Hayward Industrial Drive • Clemmons, NC 27012 • USA
Visit us at: www.haywardflowcontrol.com • E-mail: hflow@haywardnet.com