


NEW PRODUCT PREVIEW
NEW MATERIALS!
**NVA Series
Needle Valve**

1/4" TO 1/2" CPVC & NATURAL PVDF

KEY FEATURES & BENEFITS

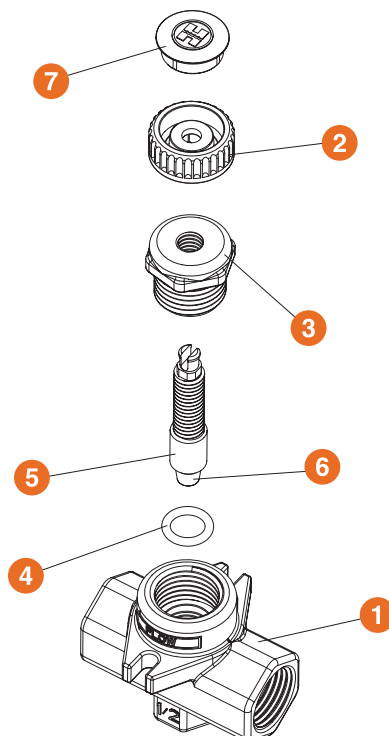
- Now Available in CPVC & Natural PVDF
- Ideal for High Purity Applications & High Temperatures
- Integrated Stem / PTFE Seat Design
- Fine Pitch Stem Threads for Precise Adjustment
- Adjust Flow Rates Down to Drops per Minute
- Accurate Flow Control
- Flanges for Panel Mounting
- 150 PSI at 70°F Non-Shock Rated
- NPT Threaded Ends
- Patent Pending Design

TYPICAL APPLICATIONS

- Laboratory and Instrumentation
- Water and Wastewater Treatment
- Chemical Processing
- Food and Beverage
- Pharmaceutical
- Pulp and Paper
- Marine and Corrosive Environments

MATERIALS

- Natural PVDF per ASTM D3222 Type 1
- CPVC Cell Class 23447 per ASTM D1784
- Heavy Duty FPM O-ring Seals

EXPLODED VIEW


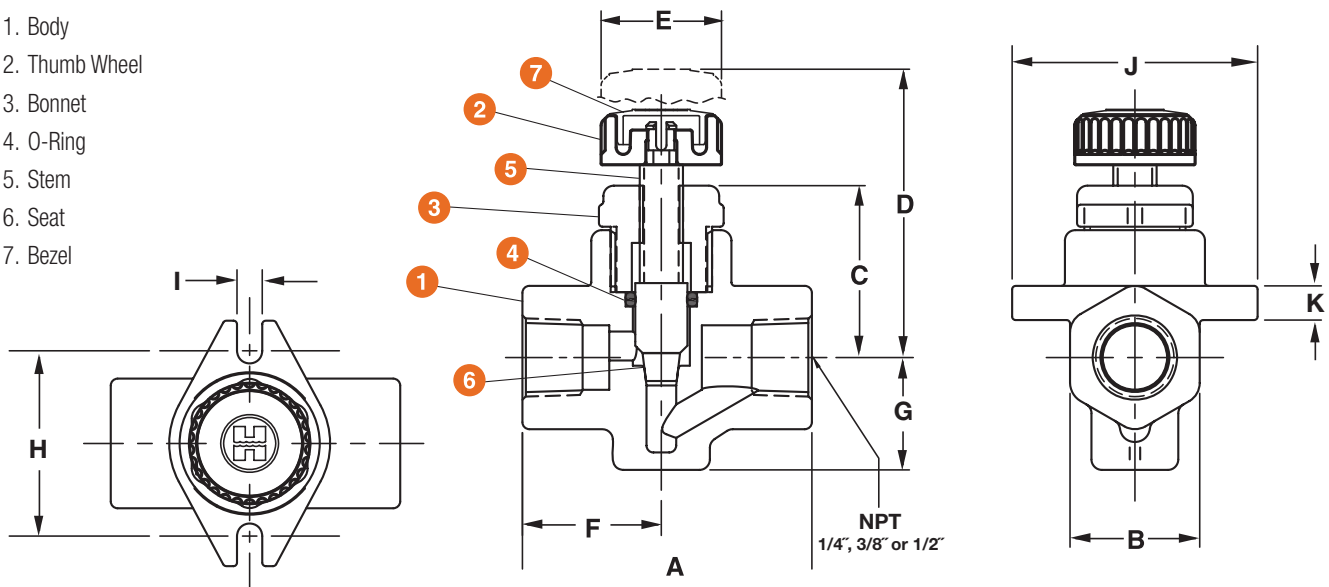
NVA Series Needle Valve

1/4" TO 1/2" CPVC & NATURAL PVDF

TECHNICAL INFORMATION

PARTS LIST

1. Body
2. Thumb Wheel
3. Bonnet
4. O-Ring
5. Stem
6. Seat
7. Bezel



DIMENSIONS – INCHES / MILLIMETERS

NOM SIZE in / DN	A in / mm	B in / mm	C in / mm	D in / mm	E in / mm	F in / mm	G in / mm	H in / mm	I in / mm	J in / mm	K in / mm	WEIGHT lbs / kg
1/4 / 8	2.50 / 64	1.12 / 28	1.49 / 38	2.49 / 63	1.04 / 26	1.20 / 30	0.97 / 25	1.60 / 41	0.22 / 6	2.12 / 54	0.30 / 8	0.22 / 0.10
3/8 / 10	2.50 / 64	1.12 / 28	1.49 / 38	2.49 / 63	1.04 / 26	1.20 / 30	0.97 / 25	1.60 / 41	0.22 / 6	2.12 / 54	0.30 / 8	0.22 / 0.10
1/2 / 15	2.50 / 64	1.12 / 28	1.49 / 38	2.49 / 63	1.04 / 26	1.20 / 30	0.97 / 25	1.60 / 41	0.22 / 6	2.12 / 54	0.30 / 8	0.22 / 0.10

Dimensions are subject to change without notice – consult factory for installation information

Cv VALUES

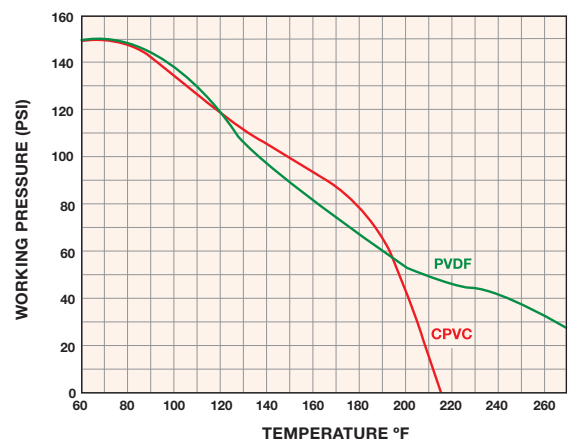
SIZE in / DN	Cv VALUES GPM
1/4 / 8	0.64
3/8 / 10	0.72
1/2 / 15	0.79

PRESSURE LOSS CALCULATION FORMULA

$$\Delta P = \left[\frac{Q}{Cv} \right]^2$$

ΔP = Pressure Drop
 Q = Flow in GPM
 Cv = Flow Coefficient

OPERATING TEMPERATURE / PRESSURE



Hayward is a registered trademark of Hayward Industries, Inc. © 2015 Hayward Industries, Inc.

NPP1115

Contact Hayward Flow Control with questions:

USA: 1.888.429.4635 • Fax: 1.888.778.8410 • One Hayward Industrial Drive • Clemmons, NC 27012 • Email: hflow@hayward.com
Canada: 1.888.238.7665 • Fax: 1.905.829.3636 • 2880 Plymouth Drive • Oakville, ON L6H 5R4 • Email: hflowcanada@hayward.com
 Visit us at: haywardflowcontrol.com