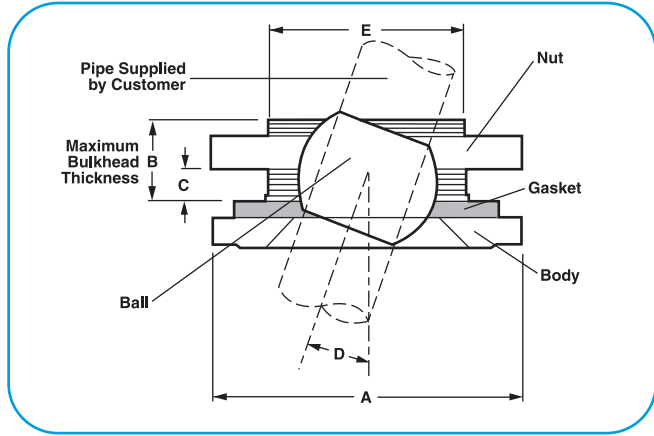


Technical Information



Dimensions - Inches / Millimeters

Size	A	B	C	D Angle	E	Weight (lb / kg)
1"	4.38 / 111	2.00 / 51	1.25 / 32	27 degrees	3.25 / 83	1.90 / .86
2"	6.00 / 152	2.00 / 51	1.06 / 27	25 degrees	4.50 / 114	4.80 / 2.2
3"	8.75 / 222	2.50 / 64	1.25 / 32	20 degrees	5.75 / 146	11.10 / 2.3