



## VB Series Vacuum Breakers

3/4" PVC

### KEY FEATURES

- PVC Body
- Reliable Venting of Tanks and Piping Systems
- Advanced Design for Fast Draining
- Easy Installation
- Compact
- No Metal Parts to Stick or Jam
- FPM Membrane
- Use with BFAS/BFA Series Bulkhead Fitting to Vent Tanks (Fits 1-1/2" Only)
- Can be Mounted in 3/4" Schedule 80 Pipe

### MATERIALS

- PVC Cell Class 12454 per ASTM D1784



## TECHNICAL INFORMATION

### SELECTION CHART

SIZE	MATERIAL	SEALS	PRESSURE RATING
3/4"* (DN20)	PVC	FPM	150 PSI @ 70°F Non-Shock

\* NPT Connection

### EASY TO INSTALL ONTO TANKS

Just solvent-weld the vacuum breaker into the socket connection of a standard Hayward 1-1/2" bulkhead fitting. Then install the bulkhead fitting onto the tank. No extra piping is needed.

# VB Series Vacuum Breakers

3/4" PVC

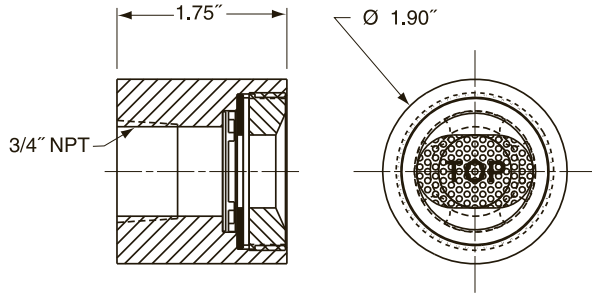
## TECHNICAL INFORMATION, CONTINUED

### SPECIFICATIONS

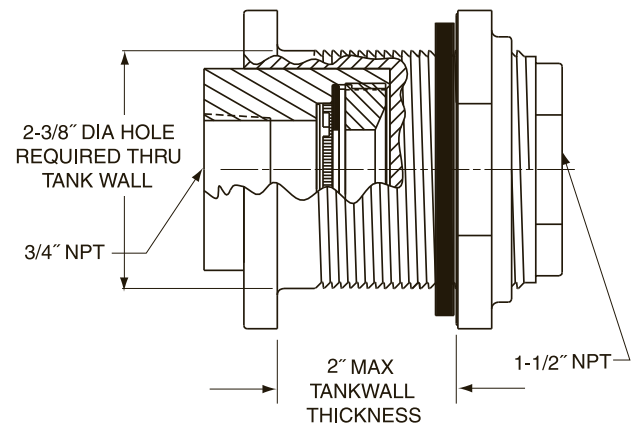
- Body Material:** PVC
- Membrane:** FPM
- Piping Connection:** 3/4" NPT
- Tank Connection:** Uses Bulkhead Fitting
- Maximum Pressure:** 150 PSI @ 70°F
- Operation:** Normally closed. Automatically opens when subjected to a vacuum and closes at positive pressures.
- Maximum Drain Rate:** 300 GPM



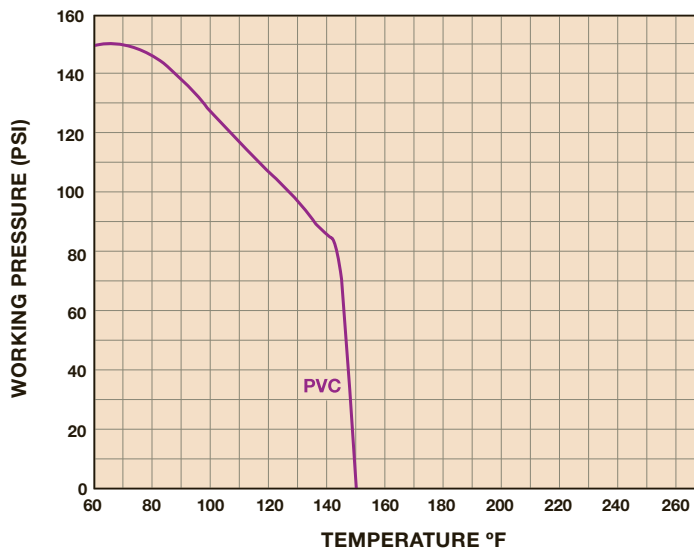
### DIMENSIONS



### VACUUM BREAKER INSTALLED IN BULKHEAD



### OPERATING TEMPERATURE/PRESSURE



Hayward is a registered trademark of Hayward Industries, Inc. © 2015 Hayward Industries, Inc.

Contact Hayward Flow Control with questions: **USA:** 1-888-429-4635 • Fax: 1-888-778-8410 • One Hayward Industrial Drive • Clemmons, NC 27012 USA  
**Canada:** 1.888.238.7665 • Fax: 1.905.829.3636 • 2880 Plymouth Drive • Oakville, ON L6H 5R4 Canada • Email: hflowcanada@haywardnet.com  
 Visit us at: www.haywardflowcontrol.com • E-mail: hflow@haywardnet.com