



## YC Series Y-Check Valves

1/2" TO 4" PVC AND CPVC

### KEY FEATURES

- Available in PVC and CPVC
- Full Flow Design
- Minimum Pressure Drop
- PVC or CPVC Coil to Guide Piston to a Positive Seat
- Minimal Back Pressure Required to Seat Piston

### OPTIONS

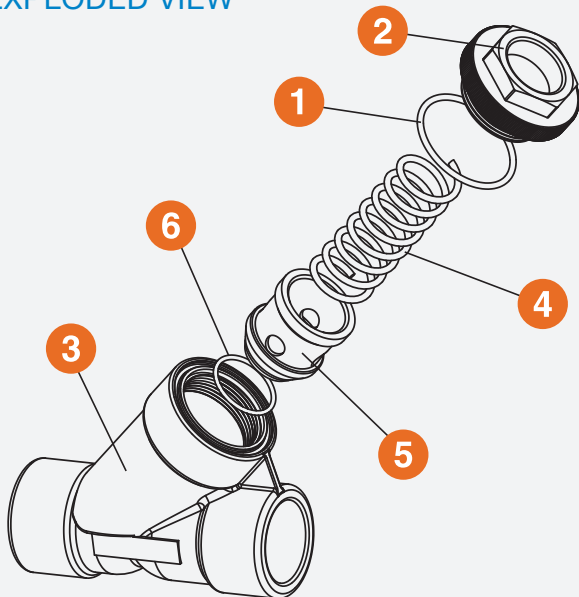
- Drilled Cap for Easy Drainage
- True Union End Connections

### MATERIALS

- PVC Cell Class 12454 per ASTM D1784
- CPVC Cell Class 23447 per ASTM D1784
- FPM and EPDM O-Ring Seals

## TECHNICAL INFORMATION

### EXPLODED VIEW



### SELECTION CHART

SIZE	MATERIAL	END CONNECTION	SEALS	PRESSURE RATING
1/2" – 4" (DN15 – DN100)	PVC or CPVC	Socket, Threaded, Flanged or True Union	FPM or EPDM	150 PSI @ 70°F 10 Bar @ 21°C Non-Shock

\* PVC and CPVC socket ends available to ISO 727-1 and threaded ends to BS21.

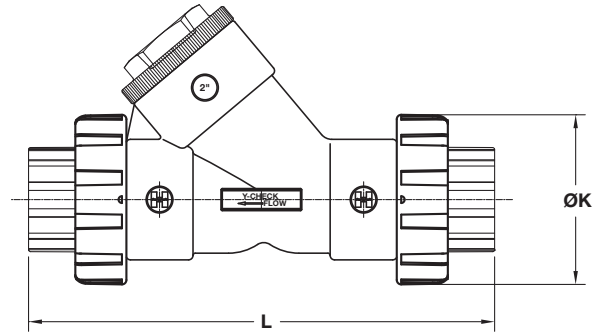
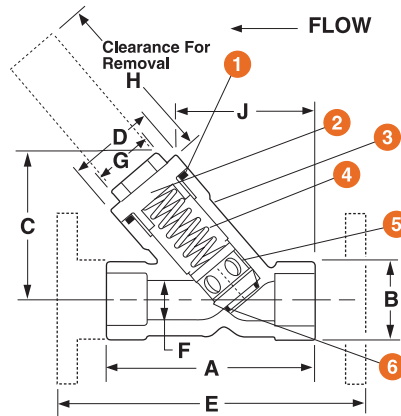
# YC Series Y-Check Valves

1/2" TO 4" PVC AND CPVC

## TECHNICAL INFORMATION, CONTINUED

### PARTS LIST

1. O-Ring Seal
2. Hex Cap
3. Body
4. Coil
5. Disc
6. O-Ring Disc Seal



### DIMENSIONS

SIZE in / DN	A in / mm	B in / mm	C in / mm	D in / mm	E in / mm	F in / mm	G in / mm	H in / mm	J in / mm	K in / mm	L in / mm	WEIGHT lbs / kg	
												SOC/ THD	FLANGED
1/2 / 15	3.38 / 86	1.38 / 35	2.25 / 57	1.50 / 38	NA	0.56 / 14	1.00 / 25	1.50 / 38	2.50 / 64	2.25 / 57	6.64 / 169	0.25 / 0.11	NA
3/4 / 20	4.18 / 106	1.69 / 43	2.88 / 73	2.00 / 51	NA	0.81 / 21	1.25 / 32	1.75 / 44	3.00 / 76	2.63 / 67	7.42 / 188	0.63 / 0.29	NA
1 / 25	5.19 / 132	2.00 / 51	3.63 / 92	2.16 / 55	NA	1.00 / 25	1.50 / 38	2.25 / 57	3.32 / 84	3.00 / 76	8.97 / 228	0.88 / 0.40	NA
1-1/4 / 32	6.63 / 168	2.63 / 67	4.50 / 114	2.94 / 75	NA	1.25 / 32	2.00 / 51	3.00 / 76	4.45 / 113	4.75 / 121	13.01 / 330	1.75 / 0.79	NA
1-1/2 / 40	6.63 / 168	2.63 / 67	4.50 / 114	2.94 / 75	NA	1.56 / 40	2.00 / 51	3.00 / 76	4.45 / 113	4.75 / 121	12.07 / 307	1.63 / 0.74	NA
2 / 50	7.63 / 194	3.38 / 86	5.38 / 137	3.75 / 95	11.00 / 279	2.00 / 51	2.38 / 60	3.25 / 83	4.88 / 124	4.75 / 121	13.05 / 331	3.00 / 1.36	5.00 / 2.27
2-1/2 / 65	10.31 / 262	4.69 / 119	7.25 / 184	5.50 / 140	NA	2.90 / 74	3.50 / 89	4.25 / 108	6.54 / 166	6.40 / 163	16.77 / 426	7.75 / 3.52	NA
3 / 80	10.31 / 262	4.69 / 119	7.25 / 184	5.50 / 140	14.37 / 365	2.90 / 74	3.50 / 89	4.25 / 108	6.54 / 166	6.40 / 163	16.77 / 426	7.50 / 3.40	12.50 / 5.67
4 / 100	12.81 / 325	5.75 / 146	8.88 / 226	6.18 / 157	17.73 / 450	3.78 / 96	4.25 / 108	5.00 / 127	8.58 / 218	8.56 / 217	21.23 / 539	9.50 / 4.30	17.50 / 7.94

Dimensions are subject to change without notice – consult factory for installation information

### Cv VALUES

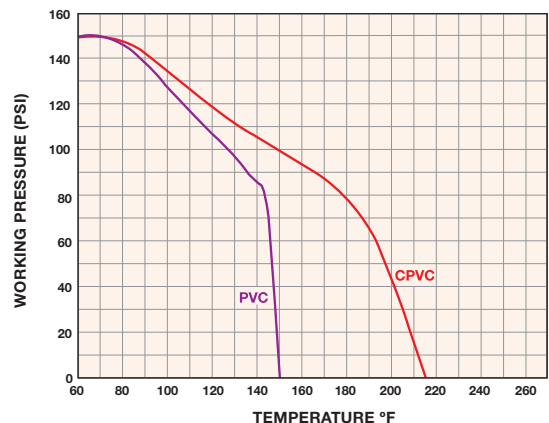
SIZE in / DN	Cv VALUES	SIZE in / DN	Cv VALUES
1/2 / 15	0.8	2 / 50	65.0
3/4 / 20	3.0	2-1/2 / 65	75.0
1 / 25	9.0	3 / 80	110.0
1-1/4 / 32	26.0	4 / 100	240.0
1-1/2 / 40	45.0		

### PRESSURE LOSS CALCULATION FORMULA

$$\Delta P = \left[ \frac{Q}{Cv} \right]^2$$

$\Delta P$  = Pressure Drop  
 $Q$  = Flow in GPM  
 $Cv$  = Flow Coefficient

### OPERATING TEMPERATURE/PRESSURE



Hayward is a registered trademark of Hayward Industries, Inc. © 2018 Hayward Industries, Inc.

**USA:** 1.888.429.4635 • Fax: 1.888.778.8410 • One Hayward Industrial Drive • Clemmons, NC 27012 • Email: hfcsales@hayward.com  
**Canada:** 1.888.238.7665 • Fax: 1.905.829.3636 • 2880 Plymouth Drive • Oakville, ON L6H 5R4 • Email: hflowcanada@hayward.com  
 Visit us at: haywardflowcontrol.com