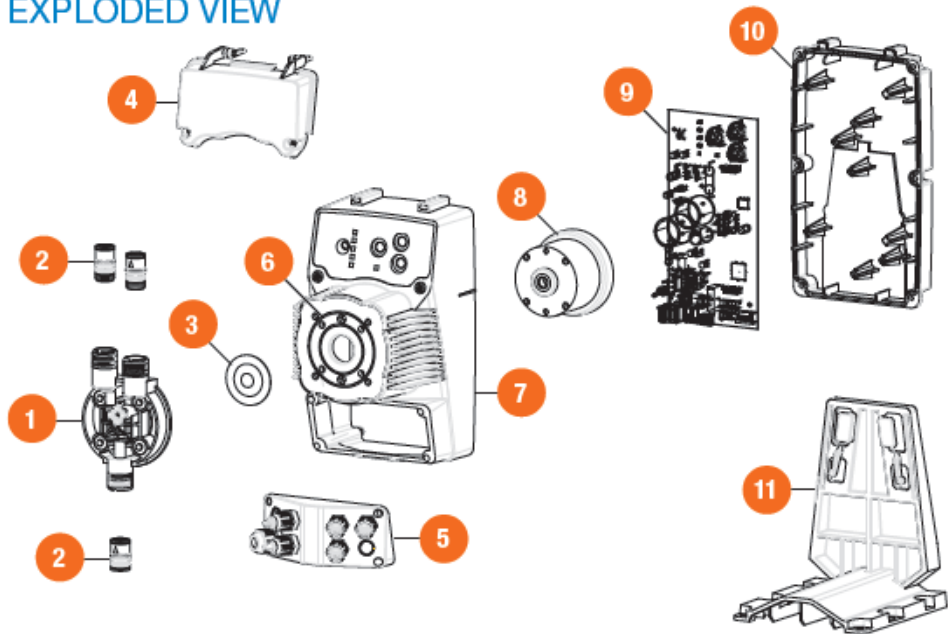


EXPLODED VIEW



PARTS LIST & MATERIALS

1	Pump Head - PVDF
2	Ceramic Check Valve Assemblies - PVDF/FPM/SC
3	Diaphragm - PTFE
4	Front Panel Lid
5	Wiring Terminal Block - GFPP
6	O-Ring Seal - FPM
7	Housing - GFPP
8	Solenoid
9	Circuit Board
10	Back Plate - GFPP
11	Mounting Stand - GFPP