

NEW PRODUCT PREVIEW
**HRCK3, HRCP3 Series
Electric Actuator
Local Control**

KEY FEATURES & BENEFITS

Product Description

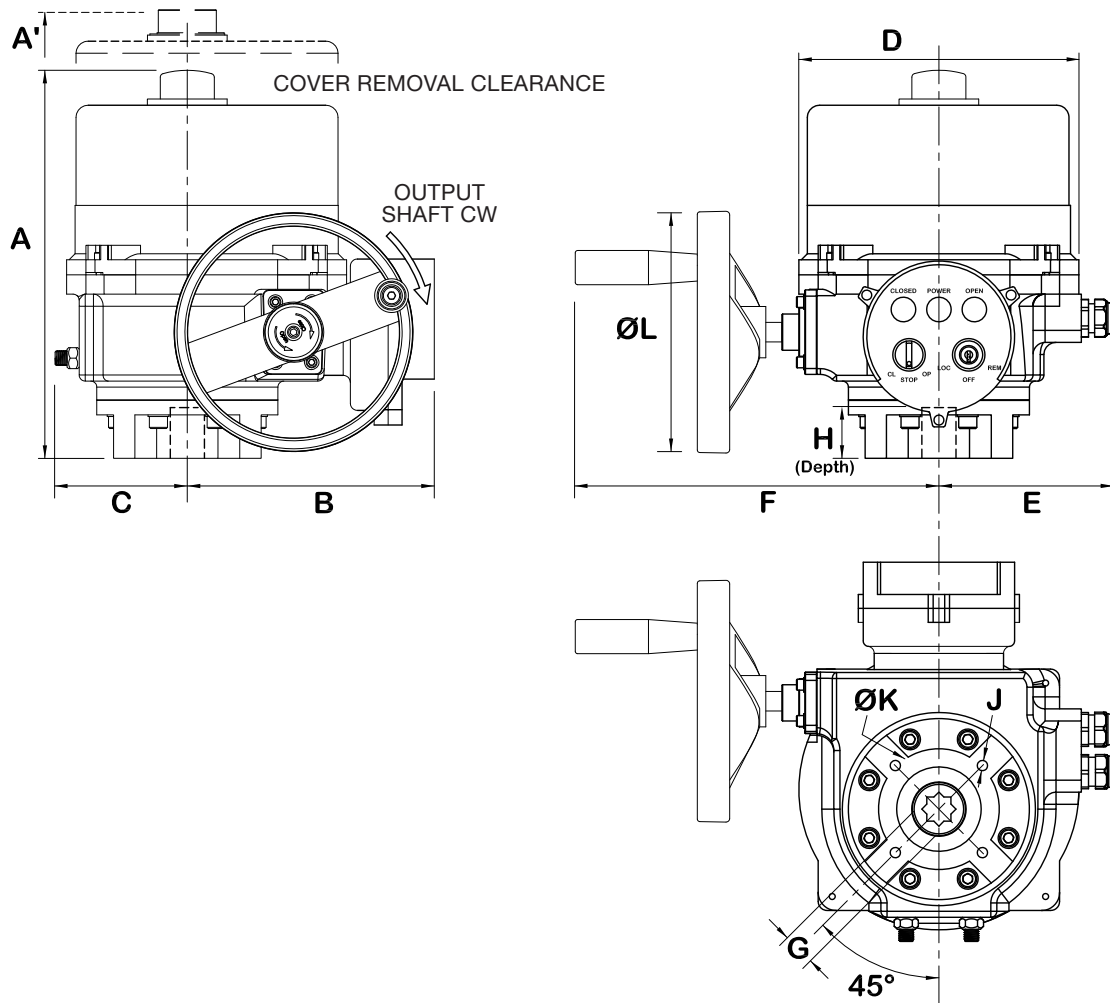
- Local Control Stations allow stand-alone or isolated operation from PLC systems
- CK Type has Knob/Key Type Switches
- CP Type has Push Button Type Switches
- Available from 880"lbs to 1770"lbs
- 120VAC operation standard, with 24VAC/VDC, 230VAC and 3 Phase options available
- Units equipped with two (2) volt-free Form A Auxiliary switches
- Anti-Condensate heater standard
- ISO5211 compliant mechanical mount w/ double-square female drive socket
- Two (2) 3/4" EMT port for ease of field wiring
- NEMA 4/4x/IP67 Compliant
- Raised visual position indicator in high contrast red/green color
- Clutchless Hand Wheel override standard
- Collapsible spinner handle


TECHNICAL INFORMATION

ACTUATOR SPECIFICATIONS		HRCK3A, HRCP3A	HRCK3B, HRCP3B
Supply	Torque Output (lbf-in / Nm)	880 / 100	1770 / 200
24VAC	Current Draw (Start / Run / LRA)	4.2A / 3.2A / 11A	4.2A / 3.2A / 11A
-	Speed (90°) DC, seconds	14	28
24VDC	Motor - 24vdc Perm Magnet Brush Type	25W	25W
	Current Draw (Start / Run / LRA)	1.16A / 0.93A / 1.47A	1.16A / 0.93A / 1.47A
120V	Speed (90°) 60Hz / 50Hz, seconds	16 / 19	33 / 39
	Motor - 120vac Split-Phase Cap TENV	40W	40W
	Current Draw (Start / Run / LRA)	0.54A / 0.42A / 0.66A	0.54A / 0.42A / 0.66A
230V	Speed (90°) 60Hz / 50Hz, seconds	16 / 19	33 / 39
	Motor - 230vac Split-Phase Cap TENV	40W	40W
All	Electrical Entry (2)	3/4" EMT or ABS gland	
	Control	On/Off or Proportional	
	Ambient Operating Range	-22°F to +158°F / -30°C to +70°C	
LOCAL CONTROL STATION		HRCK3A~3B, HRCP3A~3B	
	Type	CK Type has Knob/Key Type Switches / CP Type has Push Button Type Switches	

HRCK3, HRCP3 Series Electric Actuator with Local Control Station

TECHNICAL INFORMATION, *CONTINUED*



DIMENSIONS

MODEL	A in/mm	A' in/mm	B in/mm	C in/mm	D in/mm	E in/mm	F in/mm	G in/mm	H in/mm	J in/mm	K in/mm	L	WEIGHT lbs/kg	
HRCK3A HRCP3A	10.45/265	6/150	7.35/187	3.11/79	8.50/216	4.73/120	9.45/240	0.669/17	1.38/35	(4) M8 - 1.25 X 20mm Deep	F07 2.756/70	4.7/120	12.5 turns 90°	26.5/12
HRCK3B HRCP3B	10.45/265	6/150	7.35/187	3.11/79	8.50/216	4.73/120	9.45/240	0.669/17	1.38/35	(4) M8 - 1.25 X 20mm Deep	F07 2.756/70	4.7/120	12.5 turns 90°	26.5/12

*HRCCKP3 Series have 17mm & 22mm DSQ Drive Inserts (Dimension G) included as well.



Hayward is a registered trademark
of Hayward Industries, Inc.
© 2018 Hayward Industries, Inc.

NPP1018B

USA: 1.888.429.4635 • Fax: 1.888.778.8410 • One Hayward Industrial Drive • Clemmons, NC 27012 • Email: hfcsales@hayward.com
Canada: 1.888.238.7665 • Fax: 1.905.829.3636 • 2880 Plymouth Drive • Oakville, ON L6H 5R4 • Email: hfcanada@hayward.com
Visit us at: haywardflowcontrol.com