

NEW PRODUCT PREVIEW
**HRCK2 Series
Electric Actuator
Local Control**

SIZING AVAILABLE

KEY FEATURES & BENEFITS

Product Description

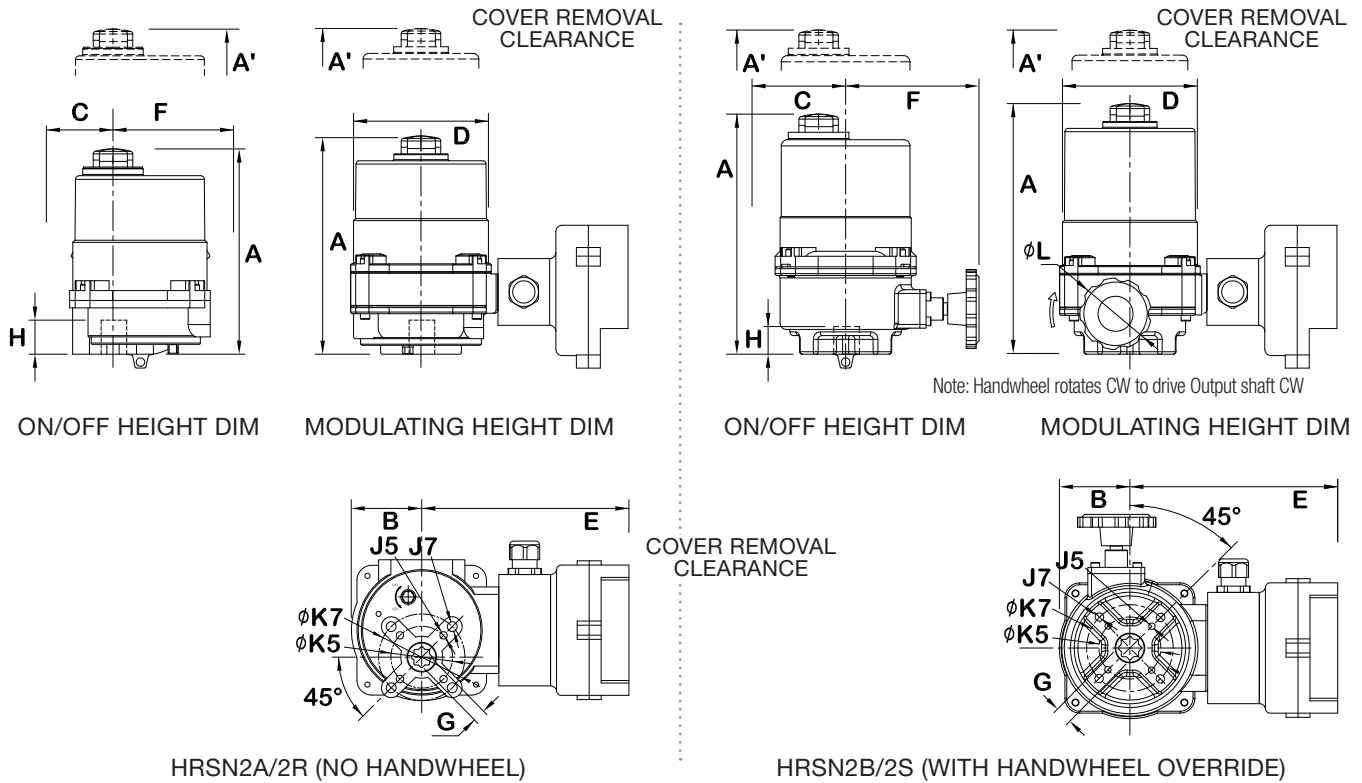
- Local Control Stations allow stand-alone or isolated operation from PLC systems
- CK Type has Knob/Key Type Switches
- Up to 440"lbs torque for ball valves up to 6" and butterfly valves up to 4"
- 120VAC operation standard, with 24VAC/VDC, 230VAC options available
- Units equipped with two (2) volt-free Form A Auxiliary switches
- Anti-Condensate heater standard
- ISO5211 compliant mechanical mount w/ double-square female drive socket
- One (1) 1/2" EMT port for ease of field wiring
- NEMA 4/4x/IP67 Compliant
- Raised visual position indicator in high contrast red/green color


TECHNICAL INFORMATION

ACTUATOR SPECIFICATIONS		HRCK2A	HRCK2B	HRCK2R	HRCK2S
Supply	Torque Output (lbf-in / Nm)	310 / 35	310 / 35	440 / 50	440 / 50
24VAC	Current Draw (Start / Run / LRA)	2.1A / 1.2A / 2.3A	2.1A / 1.2A / 2.3A	2.1A / 1.2A / 2.3A	2.1A / 1.2A / 2.3A
	Speed (90°) DC, seconds	8	8	10	10
24VDC	Motor - 24vdc Perm Magnet Brush Type	6W	6W	6W	6W
	Current Draw (Start / Run / LRA)	.39A / .36A / .48A	.39A / .36A / .48A	.39A / .36A / .48A	.39A / .36A / .48A
120V	Speed (90°) 60Hz / 50Hz, seconds	9.2 / 11	9.2 / 11	12.5 / 15	12.5 / 15
	Motor - 120vac Split-Phase Cap TENV	10W	10W	10W	10W
	Current Draw (Start / Run / LRA)	.23A / .21A / .28A	.23A / .21A / .28A	.23A / .21A / .28A	.23A / .21A / .28A
230V	Speed (90°) 60Hz / 50Hz, seconds	9.2 / 11	9.2 / 11	12.5 / 15	12.5 / 15
	Motor - 120vac Split-Phase Cap TENV	10W	10W	10W	10W
	Manual Override	Bottom 8mm Hex Shaft	Hand Wheel	Bottom 8mm Hex Shaft	Hand Wheel
	Ambient Operating Range	-22°F to +158°F (-30°C to +70°C)			
All	LOCAL CONTROL STATION	HRCK2A~2S			
	Type	CK Type Local Control Station has Knob/Key Type Switches			

HRCK2 Series Electric Actuator with Local Control Station

TECHNICAL INFORMATION, *CONTINUED*



DIMENSIONS

MODEL	A	A'	B	C	D	E	F	G*	H	J*	K*	L	WEIGHT
	in/mm	in/mm	in/mm	in/mm	in/mm	in/mm	in/mm	in/mm	in/mm	in/mm	in/mm	in/mm	lbs/kg
HRCK2A	on/off - LV	6.38/162								(4) M6-1.0 X 18mm Deep	F05 / 1.969/50	-	11.3/5.1
	Mod - LV	7.56/192								(4) M8-1.25 X 20mm Deep	F07 / 2.756/70		
HRCK2B	on/off - LV	7.40/188								(4) M6-1.0 X 18mm Deep	F05 / 1.969/50	2.5/63 12 turns 90°	11.3/5.1
	Mod - LV	8.58/218								(4) M8-1.25 X 20mm Deep	F07 / 2.756/70		
HRCK2R	on/off - LV	6.38/162								(4) M6-1.0 X 18mm Deep	F05 / 1.969/50	-	11.3/5.1
	Mod - LV	7.56/192								(4) M8-1.25 X 20mm Deep	F07 / 2.756/70		
HRCK2S	on/off - LV	7.40/188								(4) M6-1.0 X 18mm Deep	F05 / 1.969/50	2.5/63 14 turns 90°	11.3/5.1
	Mod - LV	8.58/218								(4) M8-1.25 X 20mm Deep	F07 / 2.756/70		



Hayward is a registered trademark
of Hayward Industries, Inc.
© 2018 Hayward Industries, Inc.

NPP1018A

USA: 1.888.429.4635 • Fax: 1.888.778.8410 • One Hayward Industrial Drive • Clemmons, NC 27012 • Email: hfcsales@hayward.com
Canada: 1.888.238.7665 • Fax: 1.905.829.3636 • 2880 Plymouth Drive • Oakville, ON L6H 5R4 • Email: hflowcanada@hayward.com
Visit us at: haywardflowcontrol.com