


**NEW PRODUCT PREVIEW**
**HRCL4, HRCD4 Series  
Electric Actuator  
Local Control**
**KEY FEATURES & BENEFITS**

## Product Description

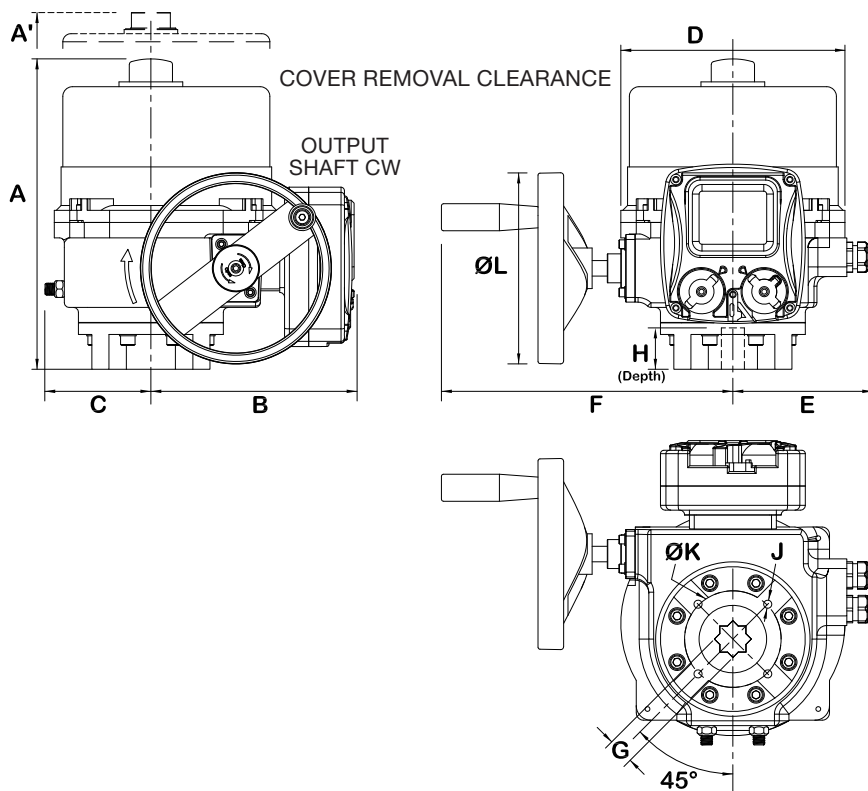
- Local Control Stations allow stand-alone or isolated operation from PLC systems
- CL Type has LED Indicators
- CD Type has Full LCD Display
- Available from 3540”lbs to 20,350”lbs
- 120VAC operation standard, with 24VAC/VDC, 230VAC and 3 Phase options available
- Units equipped with two (2) volt-free Form A Auxiliary switches
- Anti-Condensate heater standard
- ISO5211 compliant mechanical mount w/ double-square female drive socket
- Two (2) 3/4” EMT port for ease of field wiring
- NEMA 4/4x/IP67 Compliant
- Raised visual position indicator in high contrast red/green color
- Clutchless Hand Wheel override standard
- Collapsible spinner handle


**TECHNICAL INFORMATION**

ACTUATOR SPECIFICATIONS		HRCL4A HRCD4A	HRCL4B HRCD4B	HRCL4C HRCD4C	HRCL4D HRCD4D	HRCL4E HRCD4E	HRCL4F HRCD4F
Supply	Torque Output (lbf-in / Nm)	<b>3540 / 400</b>	<b>5310 / 600</b>	<b>7080 / 800</b>	<b>8850 / 1000</b>	<b>15040 / 1700</b>	<b>20350 / 2300</b>
24VAC	Current Draw (Start / Run / LRA)	7.0A / 5.8A / 15A	7.0A / 5.8A / 15A	7.0A / 5.8A / 15A	10.5A / 7.8A / 22A	-	-
	Speed (90°) DC, seconds	21	28	34	34	-	-
24VDC	Motor - 24vdc Perm Magnet Brush Type	40W	40W	40W	60W	-	-
	Current Draw (Start / Run / LRA)	2.95A / 1.8A / 3.5A	2.95A / 1.8A / 3.5A	2.95A / 1.8A / 3.5A	3.8A / 2.3A / 4.8A	7.2A / 4.5A / 9.4A	7.2A / 4.5A / 9.4A
120V	Speed (90°) 60Hz / 50Hz, seconds	24 / 29	33 / 39	39 / 47	39 / 47	28 / 34	39 / 47
	Motor - 120vac Split-Phase Cap TENV	90W	90W	90W	120W	200W	200W
	Current Draw (Start / Run / LRA)	1.71A / 0.91A / 1.9A	1.71A / 0.91A / 1.9A	1.71A / 0.91A / 1.9A	2.16A / 1.1A / 2.43A	4.05A / 2.2A / 4.5A	4.05A / 2.2A / 4.5A
230V	Speed (90°) 60Hz / 50Hz, seconds	24 / 29	33 / 39	39 / 47	39 / 47	28 / 34	39 / 47
	Motor - 230vac Split-Phase Cap TENV	90W	90W	90W	120W	200W	200W
	Electrical Entry (2)	3/4” EMT or ABS gland					
	Control	On/Off or Proportional					
All	Ambient Operating Range	-22°F to +158°F / -30°C to +70°C					
	<b>LOCAL CONTROL STATION</b>	<b>HRCL4A~4F, HRCD4A~4F</b>					
	Type	CL Type has LED indicators / CD Type has Full LCD Display					

# HRCL4, HRCD4 Series Electric Actuator with Local Control Station

## TECHNICAL INFORMATION, CONTINUED



### DIMENSIONS

MODEL	A in/mm	A' in/mm	B in/mm	C in/mm	D in/mm	E in/mm	F in/mm	G* in/mm	H in/mm	J* in/mm	K* in/mm	L	WEIGHT lbs/kg	
HRCL4A HRCD4A	12.64/321	7.87/200	8.78/223	4.06/103	10.31/262	5.91/150	11.69/297	0.866/22	2.17/55	(4) M10 - 1.50 X 20mm D	F10 4.016/102	7.76 / 197	14.5 turns 90°	51/23
HRCL4B HRCD4B	12.64/321	7.87/200	8.78/223	4.06/103	10.31/262	5.91/150	11.69/297	1.063/27	2.17/55	(4) M12 - 1.75 X 20mm D	F12 4.921/125	7.76 / 197	14.5 turns 90°	51/23
HRCL4C HRCD4C	12.64/321	7.87/200	8.78/223	4.06/103	10.31/262	5.91/150	11.69/297	1.063/27	2.17/55	(4) M12 - 1.75 X 20mm D	F12 4.921/125	7.76 / 197	14.5 turns 90°	51/23
HRCL4D HRCD4D	12.64/321	7.87/200	8.78/223	4.06/103	10.31/262	5.91/150	11.69/297	1.063/27	2.17/55	(4) M12 - 1.75 X 20mm D	F12 4.921/125	7.76 / 197	14.5 turns 90°	51/23
HRCL4E HRCD4E	14.88/378	9.84/250	9.49/241	4.69/119	11.54/293	6.34/161	13.62/346	1.063/27	2.56/65	(4) M12 - 1.75 X 20mm D	F14 5.512/140	11.42 / 290	16 turns 90°	82/38
HRCL4F HRCD4F	14.88/378	9.84/250	9.49/241	4.69/119	11.54/293	6.34/161	13.62/346	1.417/36	2.56/65	(4) M16 - 2.0 X 20mm D	F14 5.512/140	11.42 / 290	16 turns 90°	82/38

\*Consult Hayward Flow Control for optional ISO patterns



Hayward is a registered trademark  
of Hayward Industries, Inc.  
© 2018 Hayward Industries, Inc.

NPP1018E

USA: 1.888.429.4635 • Fax: 1.888.778.8410 • One Hayward Industrial Drive • Clemmons, NC 27012 • Email: hfcsales@hayward.com  
Canada: 1.888.238.7665 • Fax: 1.905.829.3636 • 2880 Plymouth Drive • Oakville, ON L6H 5R4 • Email: hfcanada@hayward.com  
Visit us at: haywardflowcontrol.com