

NEW PRODUCT PREVIEW

HRSN2 Series Electronic Fail-Safe Actuators

KEY FEATURES & BENEFITS

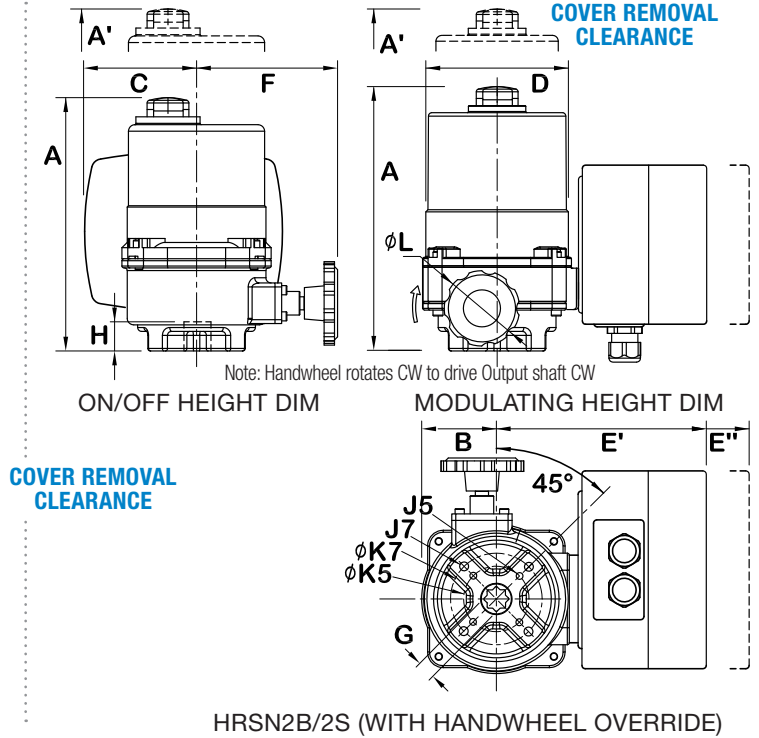
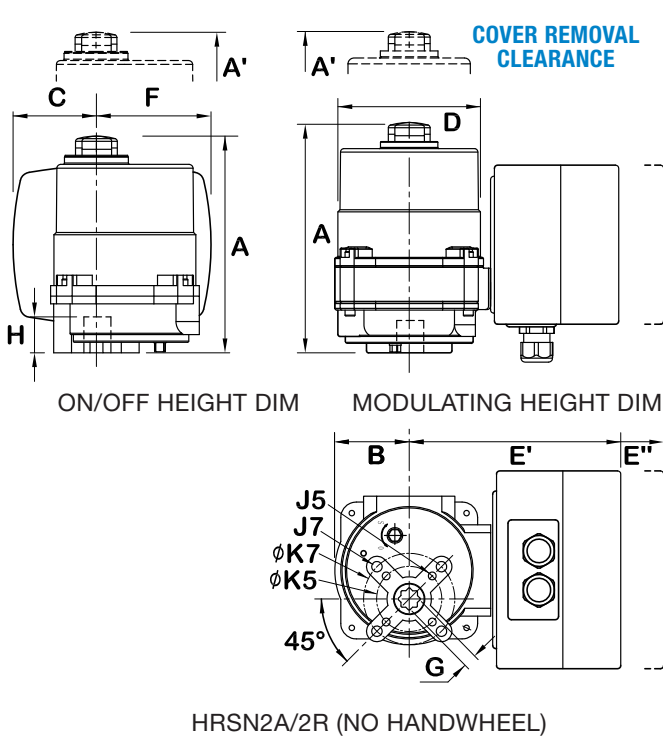

- Stored Energy System provides positive valve positioning upon loss of mains power
- Up to 440"lbs torque for ball valves up to 6" and butterfly valves up to 4"
- 24VAC/VDC operation standard, with 120vac and 230vac transformer options available
- Field selectable fail CW or CCW operation for complete flexibility
- Self-Contained charge and discharge control of the Lithium-Ion Battery or Supercapacitor bank provides maximum life from the reserve energy system
- Battery Pack and Supercapacitor bank are field replaceable to minimize down-time
- Stored Energy status indicators show system health
- Fault-Out contact is standard and allows remote monitoring of the stored energy system performance.
- ISO5211 Mechanical mount w/ double-square female drive socket
- Two (2) 1/2" EMT ports for ease of field wiring
- NEMA 4/4x/IP67 Compliant


TECHNICAL INFORMATION

	ACTUATOR SPECIFICATIONS	HRSN2A...	HRSN2B...	HRSN2R...	HRSN2S...
Supply	Torque Output (in-lbs / Nm)	310 / 35	310 / 35	440 / 50	440 / 50
24VAC	Current Draw (Start / Run / LRA)	2.1A / 1.2A / 2.3A	2.1A / 1.2A / 2.3A	2.1A / 1.2A / 2.3A	2.1A / 1.2A / 2.3A
24VDC	Speed (90°) AC / DC, seconds	9.2 / 11	9.2 / 11	12.5 / 15	12.5 / 15
120V	Requires 120:24 Transformer Pack, 100VA	HRSBBC120-100	HRSBBC120-100	HRSBBC120-100	HRSBBC120-100
230V	Requires 230:24 Transformer Pack, 100VA	HRSBBC230-100	HRSBBC230-100	HRSBBC230-100	HRSBBC230-100
	Manual Override	Bottom 8mm Hex Shaft	Hand Wheel	Bottom 8mm Hex Shaft	Hand Wheel
	Ambient Operating Range	-22°F to +158°F (-30°C to +70°C)			
All	BATTERY SPECIFICATIONS		HRSN2A~2S (20 SERIES)		
	Type	22.2V Lithium-Ion pack with charge / discharge control			
	SUPERCAPACITOR SPECIFICATIONS		HRSN2A~2S (30 SERIES)		
	Type	Aluminum Electrolytic Low ESR Supercapacitor with charge / discharge control			

HRSN2 Series Electronic Fail-Safe Actuators

TECHNICAL INFORMATION, CONTINUED



DIMENSIONS

MODEL	A	A'	B	C	D	E' (LV)	E'' (LV)	F	G*	H	J*	K*	L	WEIGHT	
	in/mm	in/mm	in/mm	in/mm	in/mm	in/mm	in/mm	in/mm	in/mm	in/mm	in/mm	in/mm	in/mm	lbs/kg	
HRSN2A	on/off - LV	6.38 / 162	4.93 / 125	2.20 / 56	2.52 / 64	4.22 / 107	6.32 / 160	2.5/64	3.60/91	0.551 / 14	0.78 / 20	(4) M6-1.0 X 18mm Deep	F05 / 1.969/50	-	13.8/6.3
	Mod - LV	7.56 / 192										(4) M8-1.25 X 20mm Deep	F07 / 2.756/70		
HRSN2B	on/off - LV	7.40 / 188	4.93 / 125	2.20 / 56	2.99 / 76	4.22 / 107	6.32 / 160	2.5/64	4.25/108	0.551 / 14	0.78 / 20	(4) M6-1.0 X 18mm Deep	F05 / 1.969/50	2.5/63	13.8/6.3
	Mod - LV	8.58 / 218										(4) M8-1.25 X 20mm Deep	F07 / 2.756/70	12 turns / 90°	
HRSN2R	on/off - LV	6.38 / 162	4.93 / 125	2.20 / 56	2.52 / 64	4.22 / 107	6.32 / 160	2.5/64	3.60/91	0.551 / 14	0.78 / 20	(4) M6-1.0 X 18mm Deep	F05 / 1.969/50	-	13.8/6.3
	Mod - LV	7.56 / 192										(4) M8-1.25 X 20mm Deep	F07 / 2.756/70		
HRSN2S	on/off - LV	7.40 / 188	4.93 / 125	2.20 / 56	2.99 / 76	4.22 / 107	6.32 / 160	2.5/64	4.25/108	0.669 / 17	0.78 / 20	(4) M6-1.0 X 18mm Deep	F05 / 1.969/50	2.5/63	13.8/6.3
	Mod - LV	8.58 / 218										(4) M8-1.25 X 20mm Deep	F07 / 2.756/70	14 turns / 90°	



Hayward is a registered trademark of Hayward Industries, Inc. © 2018 Hayward Industries, Inc.

NPP0618A

USA: 1.888.429.4635 • Fax: 1.888.778.8410 • One Hayward Industrial Drive • Clemmons, NC 27012 • Email: hfcsales@hayward.com
 Canada: 1.888.238.7665 • Fax: 1.905.829.3636 • 2880 Plymouth Drive • Oakville, ON L6H 5R4 • Email: hflowcanada@hayward.com
 Visit us at: haywardflowcontrol.com