

NEW PRODUCT PREVIEW

HRSN4 Series Electronic Fail-Safe Actuator Battery Backup

KEY FEATURES & BENEFITS

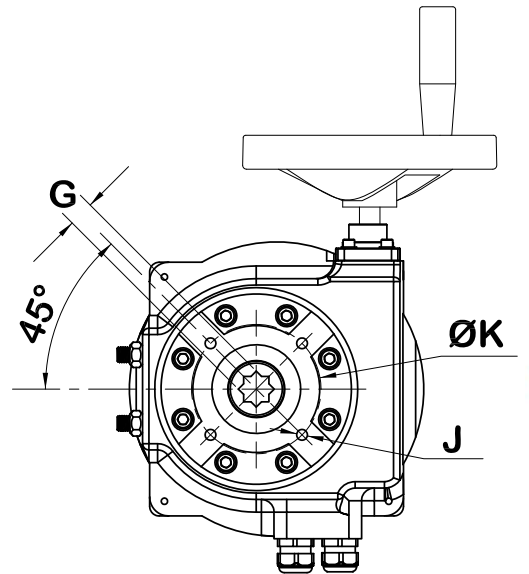
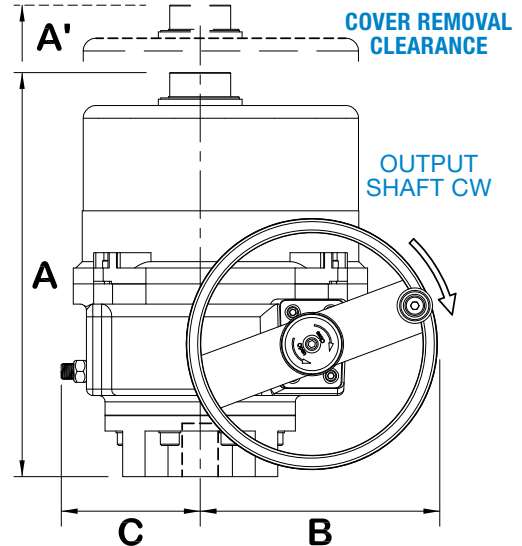
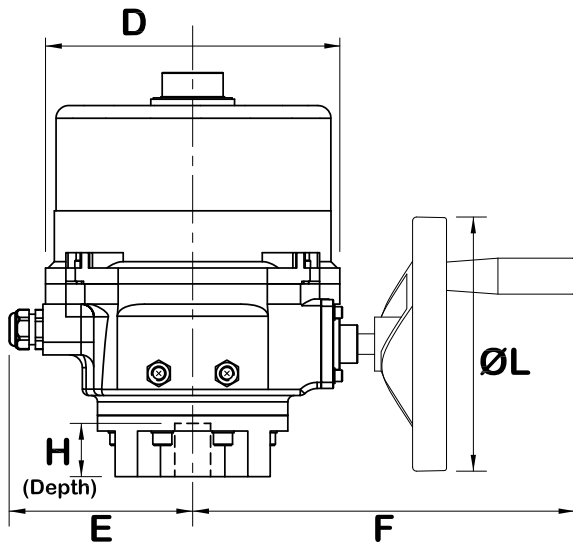

- Stored Energy System provides positive valve positioning upon loss of mains power
- Up to 8850"lbs torque for butterfly valves up to 14"
- 24VAC/VDC operation standard, with 120vac and 230vac transformer options available
- Field selectable fail CW or CCW operation for complete flexibility
- Self-Contained charge and discharge control of the Lithium-Ion Battery provides maximum life from the reserve energy system
- Battery Pack is field replaceable to minimize down-time
- Stored Energy status indicators show system health
- Fault-Out contact is standard and allows remote monitoring of the stored energy system performance.
- ISO5211 Mechanical mount w/ double-square female drive socket
- Two (2) 3/4" EMT ports for ease of field wiring
- NEMA 4/4x/IP67 Compliant


TECHNICAL INFORMATION

ACTUATOR SPECIFICATIONS		HRSN4A..20	HRSN4B..20	HRSN4C..20	HRSN4D..20
Supply	Torque Output (in-lbs / Nm)	3540 / 400	5310 / 600	7080 / 800	8850 / 1000
24VAC	Current Draw (Start / Run / LRA)	7.0A / 5.8A / 15A	7.0A / 5.8A / 15A	7.0A / 5.8A / 15A	10.5A / 7.8A / 22A
24VDC	Speed (90°) 24VAC/VDC, seconds	19.8 / 21	26.4 / 28	32 / 34	32 / 34
	Motor - 24vdc Perm Magnet Brush Type	40W	40W	40W	60W
120V	Requires 120:24 Transformer Pack, 500VA	HRSBBC120-500	HRSBBC120-500	HRSBBC120-500	HRSBBC120-500
230V	Requires 230:24 Transformer Pack, 500VA	HRSBBC230-500	HRSBBC230-500	HRSBBC230-500	HRSBBC230-500
All	Manual Override	No-Clutch Handwheel	No-Clutch Handwheel	No-Clutch Handwheel	No-Clutch Handwheel
	Ambient Operating Range	-22°F to +158°F (-30°C to +70°C)			
	BATTERY SPECIFICATIONS	HRSN4A-4D (20 SERIES)			
	Type	22.2V Lithium-Ion pack with charge / discharge control			

HRSN4 Series Electronic Fail-Safe Actuator Battery Backup

TECHNICAL INFORMATION, *CONTINUED*



DIMENSIONS

MODEL	A in/mm	A' in/mm	B in/mm	C in/mm	D in/mm	E in/mm	F in/mm	G* in/mm	H in/mm	J* in/mm	K* in/mm	L	WEIGHT lbs/kg	
HRSN4A	12.64/321	8/200	7.36/187	4.06/103	10.32/262	5.91/150	11.70/297	0.866/22	2.17/55	(4) M10 X 20mm Deep	F10 4.016/102	7.8/ 197	14.5 turns 90°	53/24
HRSN4B	12.64/321	8/200	7.36/187	4.06/103	10.32/262	5.91/150	11.70/297	1.063/27	2.17/55	(4) M12 X 20mm Deep	F12 4.921/125	7.8/ 197	14.5 turns 90°	53/24
HRSN4C	12.64/321	8/200	7.36/187	4.06/103	10.32/262	5.91/150	11.70/297	1.063/27	2.17/55	(4) M12 X 20mm Deep	F12 4.921/125	7.8/ 197	14.5 turns 90°	53/24
HRSN4D	12.64/321	8/200	7.36/187	4.06/103	10.32/262	5.91/150	11.70/297	1.063/27	2.17/55	(4) M12 X 20mm Deep	F12 4.921/125	7.8/ 197	14.5 turns 90°	53/24



Hayward is a registered trademark
of Hayward Industries, Inc.
© 2018 Hayward Industries, Inc.

NPP0618D

USA: 1.888.429.4635 • Fax: 1.888.778.8410 • One Hayward Industrial Drive • Clemmons, NC 27012 • Email: hfcsales@hayward.com
Canada: 1.888.238.7665 • Fax: 1.905.829.3636 • 2880 Plymouth Drive • Oakville, ON L6H 5R4 • Email: hflowcanada@hayward.com
Visit us at: haywardflowcontrol.com