

NEW PRODUCT PREVIEW

HRSN3 Series Electronic Fail-Safe Actuator Battery Backup

KEY FEATURES & BENEFITS



- Stored Energy System provides positive valve positioning upon loss of mains power
- Up to 1770"lbs torque for ball valves and butterfly valves up to 8"
- 24VAC/VDC operation standard, with 120vac and 230vac transformer options available
- Field selectable fail CW or CCW operation for complete flexibility
- Self-Contained charge and discharge control of the Lithium-Ion Battery provides maximum life from the reserve energy system
- Battery Pack is field replaceable to minimize down-time
- Stored Energy status indicators show system health
- Fault-Out contact is standard and allows remote monitoring of the stored energy system performance.
- ISO5211 Mechanical mount w/ double-square female drive socket
- Two (2) 3/4" EMT ports for ease of field wiring
- NEMA 4/4x/IP67 Compliant

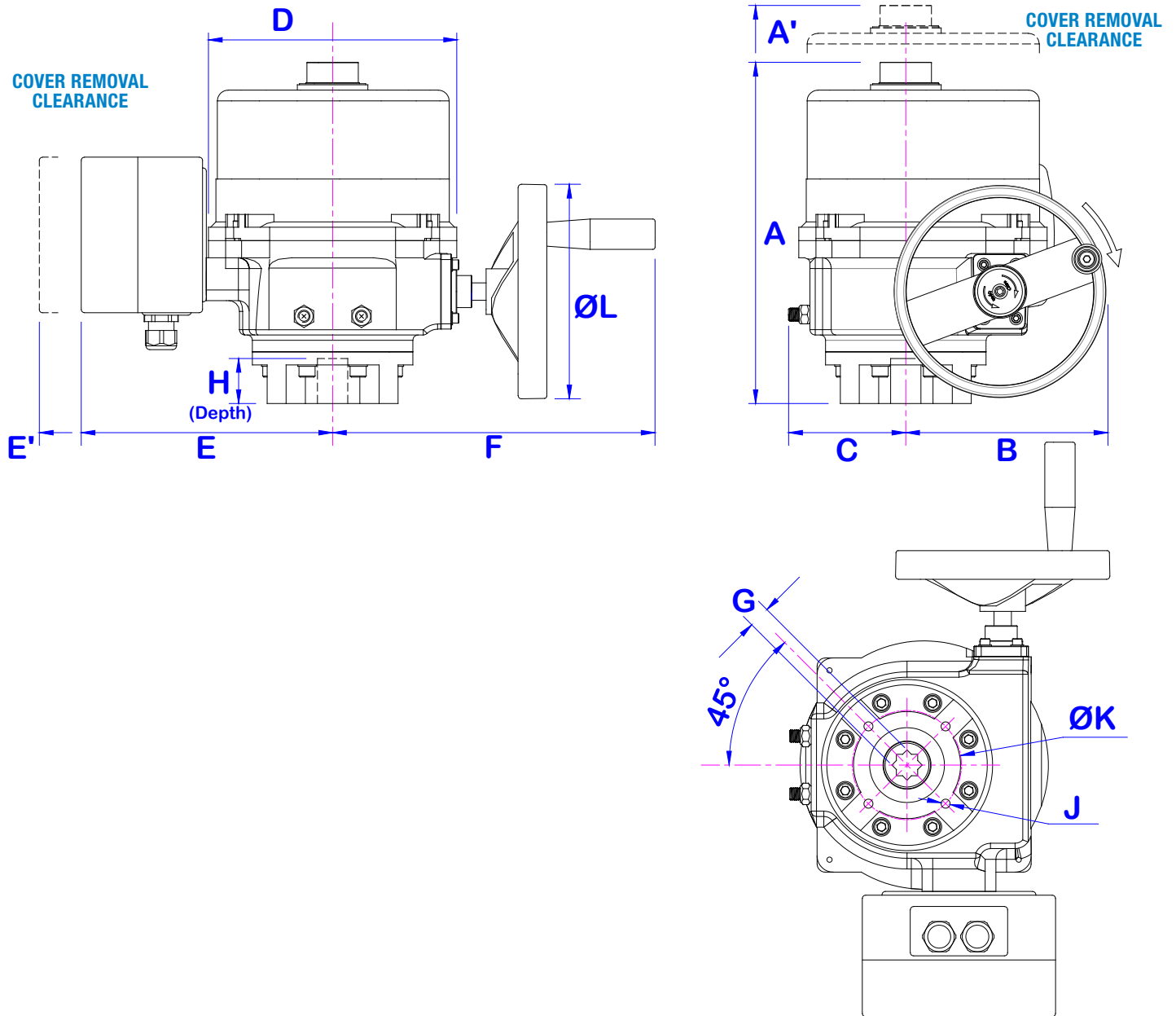


TECHNICAL INFORMATION

ACTUATOR SPECIFICATIONS		HRSN3A..20	HRSN3B..20
Supply	Torque Output in-lbs / Nm)	880 / 100	1770 / 200
24VAC	Current Draw (Start / Run / LRA)	4.2A / 3.2A / 11A	4.2A / 3.2A / 11A
24VDC	Speed (90°) 24VAC/VDC, seconds	13.2 / 14	26.4 / 28
	Motor - 24vdc Perm Magnet Brush Type	25W	25W
120V	Requires 120:24 Transformer Pack, 250VA	HRSBBC120-250	HRSBBC120-250
230V	Requires 230:24 Transformer Pack, 250VA	HRSBBC230-250	HRSBBC230-250
All	Manual Override	No Clutch Handwheel	No Clutch Handwheel
	Ambient Operating Range	-22°F to +158°F (-30°C to +70°C)	
	BATTERY SPECIFICATIONS	HRSN3A~3B (20 SERIES)	
	Type	22.2V Lithium-Ion pack with charge / discharge control	

HRSN3 Series Electronic Fail-Safe Actuator Battery Backup

TECHNICAL INFORMATION, *CONTINUED*



MODEL	A in/mm	A' in/mm	B in/mm	C in/mm	D in/mm	E in/mm	E' in/mm	F in/mm	G*	H in/mm	J*	K*	L	WEIGHT lbs/kg	
HRSN3A	10.45/265	6/150	4.85/123	3.11/79	8.50/216	9.73/248	2.5/64	9.45/240	0.669/17	1.38/35	(4) M8-1.25 X 20mm Deep	F07 2.756/70	4.7 / 120	12.5 turns 90°	30/14
HRSN3B	10.45/265	6/150	4.85/123	3.11/79	8.50/216	9.73/248	2.5/64	9.45/240	0.669/17	1.38/35	(4) M8 1.25 X 20mm Deep	F07 2.756/70	4.7 / 120	12.5 turns 90°	30/14



Hayward is a registered trademark
of Hayward Industries, Inc.
© 2018 Hayward Industries, Inc.

NPP0618C

USA: 1.888.429.4635 • Fax: 1.888.778.8410 • One Hayward Industrial Drive • Clemmons, NC 27012 • Email: hfcsales@hayward.com
Canada: 1.888.238.7665 • Fax: 1.905.829.3636 • 2880 Plymouth Drive • Oakville, ON L6H 5R4 • Email: hflowcanada@hayward.com
Visit us at: haywardflowcontrol.com