



## QTA Series Commercial True Union Compact Ball Valves

1/2" TO 2" PVC

### KEY FEATURES

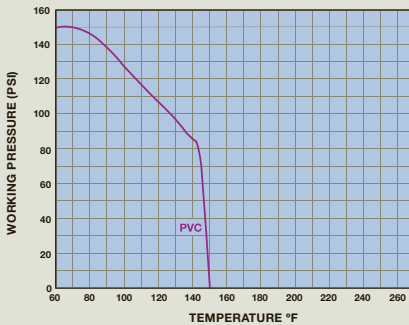
- Gray and White PVC
- True Union End Connections
- Rated at a Full 150 PSI
- Santoprene® (TPV) Seats
- EPDM O-Ring Seals
- No Internal Parts to Replace
- Low Torque Easy 1/4-Turn Operation
- Perfect for OEM Applications
- Socket and Threaded End Connections

### SELECTION CHART

SIZE	MATERIAL	END CONNECTION	SEALS	PRESSURE RATING
1/2" – 2" (DN15 – DN50)	PVC (Gray or White)	Socket and Threaded	EPDM	150 PSI @ 70°F Non-Shock

## TECHNICAL INFORMATION

### OPERATING TEMPERATURE/PRESSURE



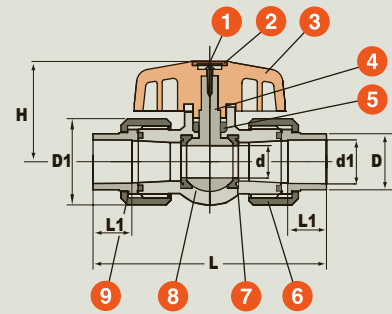
### PRESSURE LOSS CALCULATION FORMULA

$$\Delta P = \left[ \frac{Q}{Cv} \right]^2$$

$\Delta P$  = Pressure Drop  
 $Q$  = Flow in GPM  
 $Cv$  = Flow Coefficient

### PARTS LIST

1. Screw
2. Cap
3. Handle
4. Ball
5. O-Ring
6. Nut
7. Seat
8. Body
9. Adaptor



### DIMENSIONS

SIZE in/DN	d1 in/mm	D in/mm	D1 in/mm	L1 in/mm	L in/mm	H in/mm
1/2/15	.83/21	1.07/27	1.61/41	.69/18	4.30/109	1.78/45
3/4/20	1.05/27	1.33/34	1.97/50	.76/19	4.60/117	2.01/51
1/25	1.31/33	1.64/42	2.32/59	.97/25	5.30/134	2.26/57
1-1/4/32	1.66/42	2.04/52	2.75/70	1.13/29	6.20/157	2.66/68
1-1/2/40	1.90/48	2.43/62	3.37/86	1.30/33	6.90/175	2.91/74
2/50	2.37/60	3.09/78	4.13/105	1.59/40	8.00/203	3.32/84

Dimensions are subject to change without notice – consult factory for installation information