



CFLV Series Cartridge Filters

SINGLE AND DOUBLE LENGTH

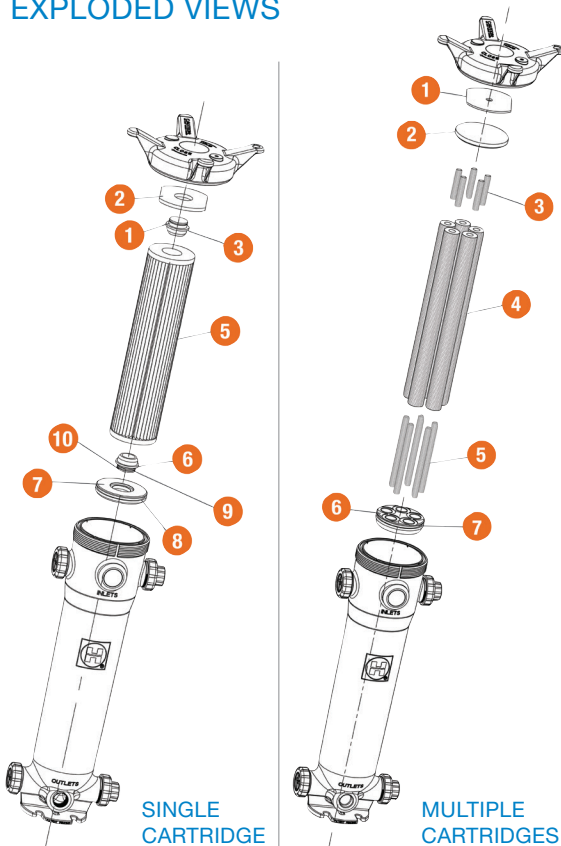
KEY FEATURES

- Platinum Glass Filled Polypropylene
- One-Piece Injection Molded Construction
- Allows for Single 7" or Multiple (5) 2-1/2" Cartridges
- Ideal for Pleated, Meltblown or Spin Wounded Cartridges
- True Union Design with Multiple End Connection Options
- Hand Removable Ergonomic Cover with Liquid Displacing Dome
- Vent Valve on Cover
- In-Line or Loop Configuration
- Drain Port at Bottom
- Integral Mounting Base

OPTIONS

- Duplex or Other Manifold Systems
- Vent Gauge with Gauge Guard
- Pressure Differential Gauge and Switch
- EPDM Seals
- Multiple Cartridge Adapters Options

EXPLODED VIEWS



SINGLE CARTRIDGE

MULTIPLE CARTRIDGES

TECHNICAL INFORMATION

SELECTION CHART

SIZE*	MATERIAL	END CONNECTIONS	PIPING SIZES	SEALS	FLOW RATE	PRESSURE RATING
Single Length 7" x 16"	GFPP	GFPP (Threaded and Flanged), PVC/CPVC (Socket and PP Socket Fusion)	1-1/4" – 2" (DN32 – DN50)	FPM or EPDM	100 GPM	150 PSI @ 70°F 10 Bar @ 21°C Non-Shock
Double Length 7" x 32"			2-1/2" – 4" (DN65 – DN100)		150 GPM	

* PVC and CPVC socket ends available to ISO 727-1 and threaded ends to BS21.
PP socket fusion ends per ASTM F2389 and threaded ends per BS21.
Flanged ends available in DINEN PN10.

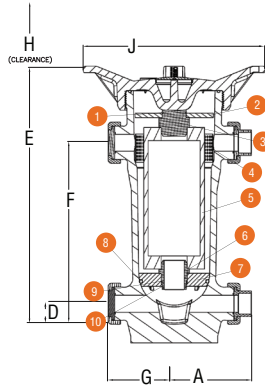
CFLV Series Cartridge Filters

SINGLE AND DOUBLE LENGTH

TECHNICAL INFORMATION, CONTINUED

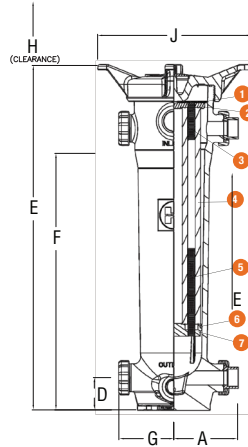
SINGLE CARTRIDGE PARTS LIST

1. Cartridge Connector Retaining O-Ring
2. Upper Plate
3. Cartridge Connector (Upper)
4. Flow Diffuser
5. Cartridge (not included in kit)
6. Cartridge Connector (Lower)
7. Lower Plate
8. Lower Plate Seal
9. Cartridge Connector Sealing O-Ring
10. Cartridge Connector Retaining O-Ring



MULTIPLE CARTRIDGE PARTS LIST

1. Anti-Rotation Ring
2. Upper Plate
3. Perforated Tube (Short)
4. Cartridge (not included in kit)
5. Perforated Tube (Long)
6. Lower Plate Seal
7. Lower Plate



DIMENSIONS – SINGLE LENGTH

FILTER SIZE in / DN	A in / mm	D in / mm	E in / mm	F in / mm	G in / mm	H* in / mm	J in / mm
1-1/4" / 32	8.86 / 225	4.50 / 114	31.83 / 808	23.00 / 584	7.60 / 193	15.25 / 387	20.93 / 532
1-1/2" / 40	8.86 / 225	4.50 / 114	31.83 / 808	23.00 / 584	7.60 / 193	15.25 / 387	20.93 / 532
2" / 50	8.91 / 226	4.50 / 114	31.83 / 808	23.00 / 584	7.60 / 193	15.25 / 387	20.93 / 532

Dimensions are subject to change without notice – consult factory for installation information

* Clearance from top for basket removal

DIMENSIONS – DOUBLE LENGTH

FILTER SIZE in / DN	A in / mm	D in / mm	E in / mm	F in / mm	G in / mm	H* in / mm	J in / mm
1-1/4" / 32	8.86 / 225	4.50 / 114	47.83 / 1215	39.00 / 991	7.60 / 193	31.25 / 794	20.93 / 532
1-1/2" / 40	8.86 / 225	4.50 / 114	47.83 / 1215	39.00 / 991	7.60 / 193	31.25 / 794	20.93 / 532
2" / 50	8.91 / 226	4.50 / 114	47.83 / 1215	39.00 / 991	7.60 / 193	31.25 / 794	20.93 / 532
2-1/2" / 65	9.79 / 249	4.50 / 114	47.83 / 1215	39.00 / 991	8.38 / 213	31.25 / 794	20.93 / 532
3" / 80	9.73 / 247	4.50 / 114	47.83 / 1215	39.00 / 991	8.38 / 213	31.25 / 794	20.93 / 532
4" / 100	10.17 / 258	4.50 / 114	47.83 / 1215	39.00 / 991	8.38 / 213	31.25 / 794	20.93 / 532

Dimensions are subject to change without notice – consult factory for installation information

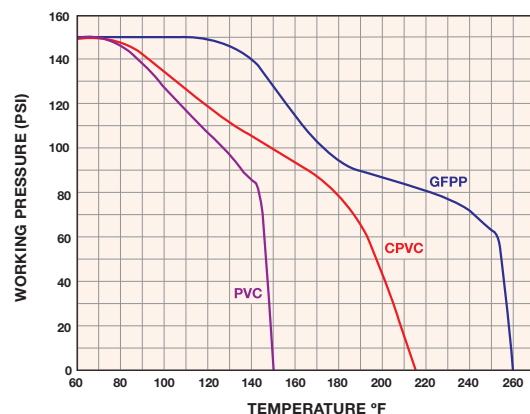
* Clearance from top for basket removal

CARTRIDGE ADAPTER SELECTION CHART

CARTRIDGE TYPE	AVAILABLE YES / NO	
	CFLV SINGLE LENGTH	CFLV DOUBLE LENGTH
2-1/2" – 2-3/4" DOE/222XCAP	Yes	Yes
4-1/2" DOE/222XCAP	Yes	Yes
Hayward 7"x16" DOE	Yes	No
Hayward 7"x16" DOE (Double Stacked)	No	Yes
Hayward 7"x30"	No	Yes
7-3/4" DOE	Yes	Yes

Consult Hayward for Available Cartridges.

OPERATING TEMPERATURE / PRESSURE



Hayward is a registered trademark
of Hayward Industries, Inc.
© 2021 Hayward Industries, Inc.

USA: 1.888.429.4635 • Fax: 1.888.778.8410 • One Hayward Industrial Drive • Clemmons, NC 27012 • Email: hfcsales@hayward.com
Canada: 1.888.238.7665 • Fax: 1.905.829.3636 • 2880 Plymouth Drive • Oakville, ON L6H 5R4 • Email: hfcanada@hayward.com
Visit us at: haywardflowcontrol.com