

## CVH Series Profile2™ Proportional Control Ball Valves

2-1/2" TO 6" PVC AND CPVC

### KEY FEATURES

- Profile2™ Characterized Ball
- Available in PVC and CPVC
- Full Port Design Through 4"
- Reversible PTFE Seats
- Double O-Ring Stem Seals
- Ergonomic GFPP handle for improved grip and comfort
- ISO Mounting Flange
- Lockout/Tagout Standard
- Permanent Markings
- NSF / ANSI 61 and NSF / ANSI 372 Listed

### OPTIONS

- Pneumatic and Electric Actuators
- Stem Extensions
- Limit Switch LHB Series

### MATERIALS

- PVC Cell Class 12454 per ASTM D1784
- CPVC Cell Class 23447 per ASTM D1784
- GFPP Cell Class 85580 per ASTM D4101
- FPM and EPDM O-Ring Seals

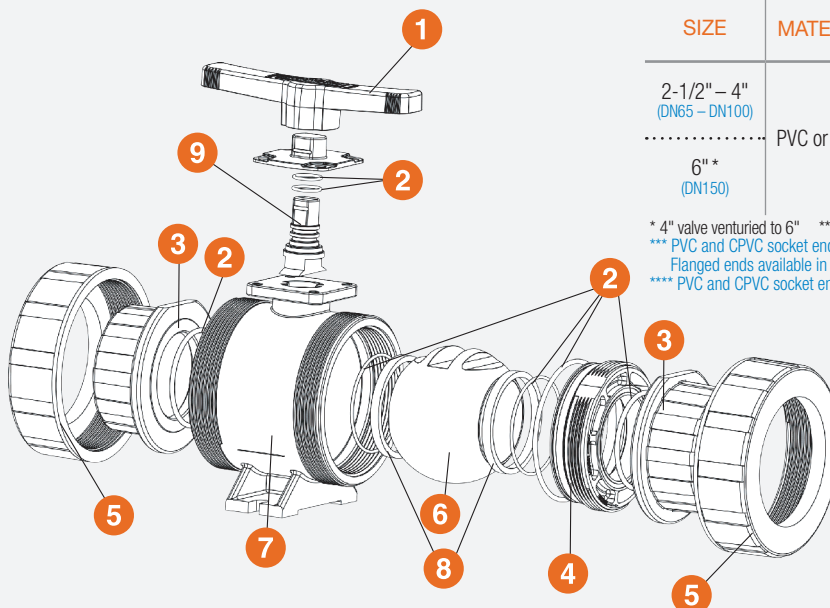


**NSF**

Certified to  
NSF/ANSI 61 & 372  
2-1/2" – 6"

## TECHNICAL INFORMATION

### EXPLODED VIEW



### SELECTION CHART

SIZE	MATERIAL	END CONNECTION	SEALS	PRESSURE RATING
2-1/2" – 4" (DN65 – DN100)	PVC or CPVC	Socket, Threaded or Flanged**	FPM or EPDM	235 PSI @ 70°F 16 Bar @ 21°C Non-Shock
6"* (DN150)		Flanged		150 PSI @ 70°F 10 Bar @ 21°C Non-Shock

\* 4" valve venturied to 6" \*\* All flanged valves are rated to 150 PSI @ 70°F Non-Shock (10 Bar @ 21°C)

\*\*\* PVC and CPVC socket ends available to ISO 727-1 and threaded ends to BS21.

Flanged ends available in DIN / EN PN10.

\*\*\*\* PVC and CPVC socket ends available to JIS K 6743 and threaded ends to JIS B 0203.

# CVH Series Profile2™ Proportional Control Ball Valves

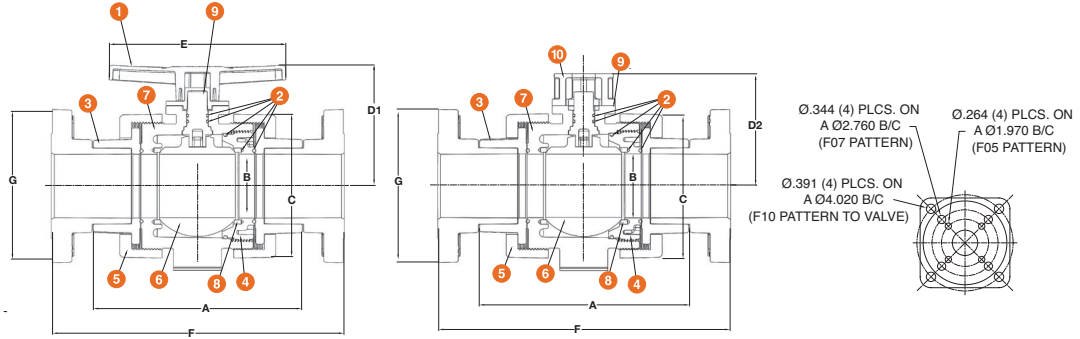
2-1/2" TO 6" PVC AND CPVC

## TECHNICAL INFORMATION, CONTINUED

### PARTS LIST

1. Handle
2. O-Ring Seals
3. End Connector
4. Seal Retainer
5. Union Nut
6. Ball
7. Body
8. PTFE Seat
9. Stem
10. Actuator Mounting Bracket

\* Mounting bracket sold separately



### DIMENSIONS

SIZE in / DN	A in / mm	B in / mm	C in / mm	D1 in / mm	D2 in / mm	E in / mm	F in / mm	G in / mm	WEIGHT lbs / kg	
									SOC / THD	FLANGED
2-1/2 / 65	10.68 / 271	2.75 / 70	6.66 / 169	6.7 / 170	6.17 / 157	10.50 / 267	14.65 / 372	7.00 / 178	11.30 / 5.13	15.30 / 6.94
3 / 80*	10.56 / 268	2.75 / 70	6.66 / 169	6.7 / 170	6.17 / 157	10.50 / 267	14.60 / 371	7.90 / 200	11.30 / 5.13	15.30 / 6.94
4 / 100*	12.30 / 312	3.81 / 97	8.56 / 217	7.2 / 183	6.64 / 168	10.50 / 267	17.26 / 438	8.96 / 228	18.50 / 8.39	25.70 / 11.66
6 / 150*	N/A	3.81 / 97	8.56 / 217	7.2 / 183	6.64 / 168	10.50 / 267	19.26 / 489	11.00 / 279	N/A	30.75 / 13.95

Dimensions are subject to change without notice – consult factory for installation information

\* Metric End Connections Available In: BSP – Straight Thread, BSP TR – Tapered Thread and Metric Socket

\*\* Flange ends comply to ANSI150 bolt pattern, PN10 or JIS10K available upon request

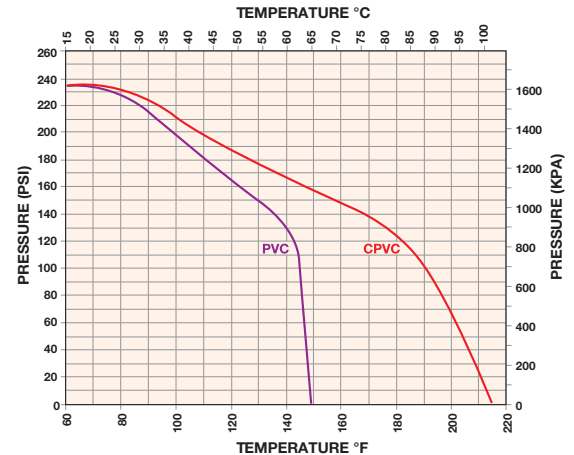
### PROPORTIONAL VALVE FLOW COEFFICIENTS

2" PROFILE2 PROPORTIONAL CONTROL VALVE				3" PROFILE2 PROPORTIONAL CONTROL VALVE			
OPENING ANGLE	SLOW OPEN	FAST OPEN	FULL PORT VALVE	OPENING ANGLE	SLOW OPEN	FAST OPEN	FULL PORT VALVE
15°	1.0	2.5	10.0	15°	3.0	10.0	10.0
30°	4.0	11.0	16.0	30°	12.0	26.0	26.0
45°	11.0	25.0	35.0	45°	30.0	50.0	55.0
60°	21.0	44.0	72.0	60°	60.0	79.0	110.0
75°	37.0	54.0	117.0	75°	89.0	112.0	212.0
90°	56.0	56.0	150.0	90°	128.0	128.0	490.0

4" PROFILE2 PROPORTIONAL CONTROL VALVE			
OPENING ANGLE	SLOW OPEN	FAST OPEN	FULL PORT VALVE
15°	5.0	18.0	38.0
30°	30.0	55.0	90.0
45°	65.0	114.0	165.0
60°	120.0	183.0	250.0
75°	185.0	200.0	458.0
90°	215.0	215.0	600.0

### OPERATING TEMPERATURE/PRESSURE



### Cv VALUES

SIZE in / DN	Cv VALUES	SIZE in / DN	Cv VALUES
2-1/2 / 65	340	4 / 100	600
3 / 80	490	6 / 150	550



Hayward is a registered trademark of Hayward Industries, Inc. © 2021 Hayward Industries, Inc.

USA: 1.888.429.4635 • Fax: 1.888.778.8410 • One Hayward Industrial Drive • Clemmons, NC 27012 • Email: hfcsales@hayward.com  
 Canada: 1.888.238.7665 • Fax: 1.905.829.3636 • 2880 Plymouth Drive • Oakville, ON L6H 5R4 • Email: hfcanada@hayward.com  
 Visit us at: haywardflowcontrol.com