



EAU1 Series Electronic Actuators

KEY FEATURES & BENEFITS

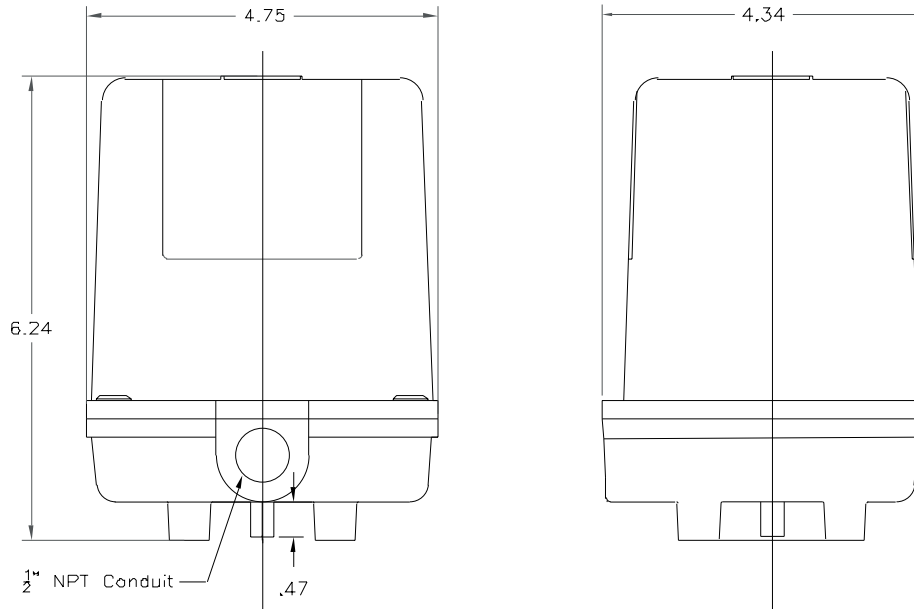
- ISO5211 Compliant F05 Base
- UL/CSA Listed Motor
- Thermoplastic NEMA 4 / 4X Enclosure
- 2.5 Second, 90° Cycle Time, 5.0 sec 180° Cycle Time
- Permanently Lubricated Gear Train
- Actuator Brake
- 90 or 180° Operation
- Unidirectional, Not Reversing
- Terminal Block Connections
- Standard 120 VAC
- End of Travel Dry Contact Limit Switch
- Thermal Overload Protection
- Lightweight, Compact and Inexpensive

TECHNICAL INFORMATION

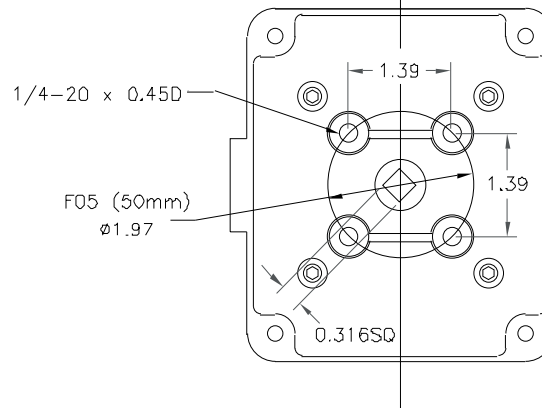
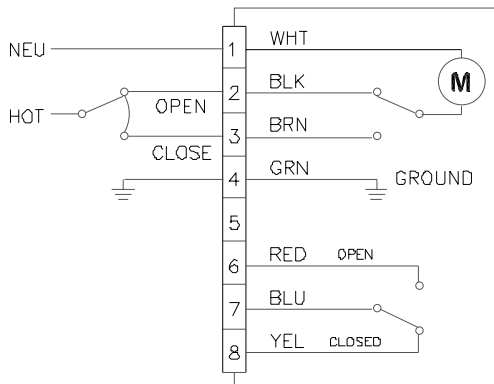
MODEL	EAU129	EAU12912A	EAU12912D	EAU12924A	EAU12924D	EAU129220A
Drive Cycle	90°	90°	90°	90°	90°	90°
Voltage	120V	12VAC	12VDC	24VAC	24VDC	220V
FLA/LRA	1.8A	4.8A	4.8A	2.4A	2.4A	0.9A
Cycle Time	2.5 sec	2.5 sec	2.5 sec	7.5 sec	2.5 sec	2.5 sec
Duty Cycle	25%	25%	25%	25%	25%	25%
Rated Torque	120"lbs (13.5Nm)					
Mount	ISO5211 F05 x 0.316 Male Drive, Offset 45°					
Operating Temp	32°F - 130°F (0°C - 55°C)					
Housing	GFPP					
Enclosure	NEMA 4/4X					
Operation	Unidirectional - CCW					
Conduit Size	1/2" EMT x 1 Port					
Auxiliary Switch	10A 230vac (Resistive) SPDT x 1					
Weight	6.2lb / 2.7kg					
Thermal Protection	UL Listed Motor Thermal Protection, Mechanical brake motor					

EAU1 Series Electronic Actuators

TECHNICAL INFORMATION, CONTINUED



WIRING DIAGRAM



VALVE SELECTION CHART

SIZE in / DN	TB / TBH
1/2 - 2 / 15 - 50	EAU129 (90°)

* Actuator size selections based on clean water at 70°F



Hayward is a registered trademark of Hayward Industries, Inc. © 2021 Hayward Industries, Inc.

USA: 1.888.429.4635 • Fax: 1.888.778.8410 • One Hayward Industrial Drive • Clemmons, NC 27012 • Email: hfcsales@hayward.com
 Canada: 1.888.238.7665 • Fax: 1.905.829.3636 • 2880 Plymouth Drive • Oakville, ON L6H 5R4 • Email: hflowcanada@hayward.com
 Visit us at: haywardflowcontrol.com