



## EAU1 Series Electronic Actuators

FOR BALL VALVES UP TO 2" / DN50

### KEY FEATURES & BENEFITS

- ISO5211 Compliant F05 Base
- UL and CSA Recognized Motor
- Thermoplastic NEMA 4 / 4X Enclosure, SS Hardware
- 2.5 Second, 90° Cycle Time; 5.0 Sec, 180° Cycle Time
- Permanently Lubricated Gear Train
- Actuator Brake
- 90° or 180° Operation
- Unidirectional, Not Reversing
- Terminal Block Connections (UL & cUL Recognized)
- Standard 120 VAC
- End of Travel, SPDT Limit Switch (UL & cUL Recognized)
- Thermal Overload Protection (AC Only)
- Lightweight and Compact Design

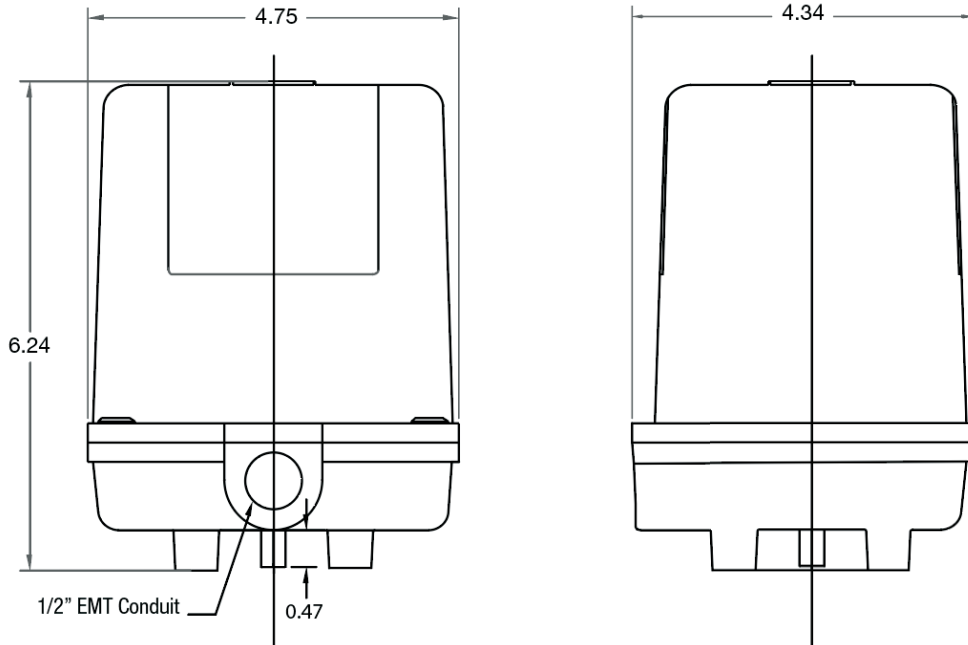
### TECHNICAL INFORMATION

MODEL	EAU129	EAU12924D	EAU129220A	EAU128	EAU12824D	EAU128220A
Drive Cycle	90°			180°		
Voltage	120VAC	24VDC	220-240VAC	120VAC	24VDC	220-240VAC
FLA/LRA	1.8A	2.4A	0.9A	1.8A	2.4A	0.9A
Cycle Time	2.5 sec			5.0 sec		
Duty Cycle	25%	75%	25%	25%	75%	25%
Rated Torque	120in*lbs (13.5Nm)					
Mount	ISO5211 F05 x 0.316 Sq. Male Drive, Offset 45°					
Operating Temp	32°F - 130°F (0°C - 55°C)					
Housing	GFPP					
Enclosure	NEMA 4/4X					
Operation	Unidirectional - CCW					
Conduit Size	1/2" EMT x 1 Port					
Auxiliary Switch	10A, 230VAC (Resistive) SPDT, UL Listed					
Weight	6.2lb / 2.7kg					
Certifications	UL / CSA Recognized Motor, Switches and Connector; AC Motors Thermally Protected					

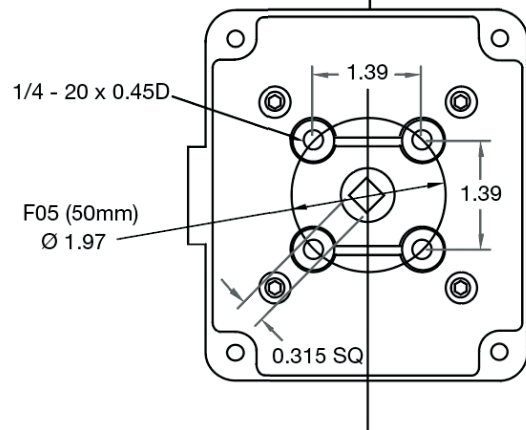
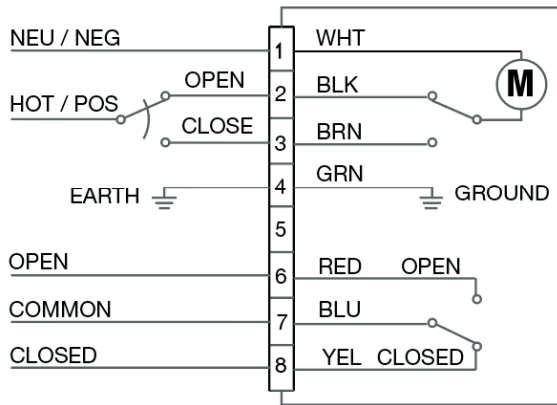
# EAU1 Series Electronic Actuators

FOR BALL VALVES UP TO 2" / DN50

## TECHNICAL INFORMATION, CONTINUED



### WIRING DIAGRAM



### VALVE SELECTION CHART

SIZE in / DN	TBH	TWH / LAH
1/2 - 2 / 15 - 50	EAU129 (90°)	EAU128 (180°)

\* Actuator size selections based on clean water at 70°F



Hayward is a registered trademark  
of Hayward Industries, Inc.  
© 2025 Hayward Industries, Inc.

USA: 1.888.429.4635 • Fax: 1.888.778.8410 • One Hayward Industrial Drive • Clemmons, NC 27012 • Email: hfcsales@hayward.com  
Canada: 1.888.238.7665 • Fax: 1.905.829.3636 • 2880 Plymouth Drive • Oakville, ON L6H 5R4 • Email: hflowcanada@hayward.com  
Visit us at: haywardflowcontrol.com