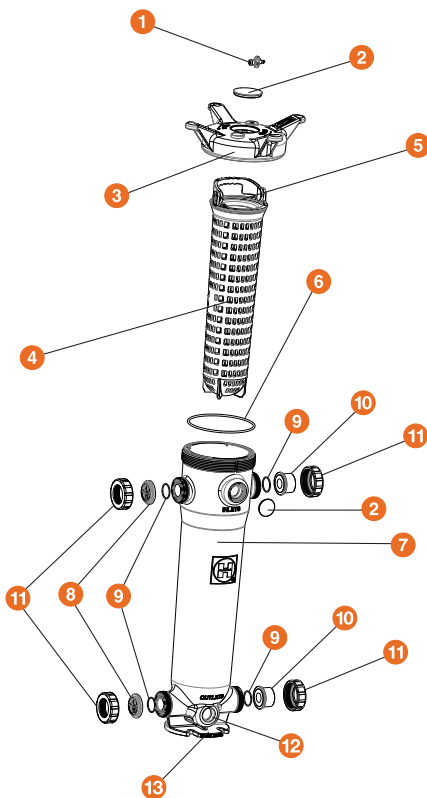




EXPLODED VIEW



FLV Series Simplex Bag Filters

DOUBLE LENGTH – 32" GFPP
2-1/2" TO 4" PIPE SIZES

KEY FEATURES

- Platinum Glass Filled Polypropylene
- One-Piece Injection Molded Construction
- Hand Removable, Ergonomic Cover with Liquid Displacing Dome
- Vent Valve Included on Cover
- Rated up to 150 GPM
- True Union Socket, Threaded or Flanged End Connections
- In-Line or Loop Flow Configurations
- Heavy Duty Solid Basket
- Drain Port at Bottom
- Integral Mounting Base
- Easier Installations Due to True Union Connectivity
- Vertical Flow Flutes in Basket, No Bag Snag and More Flow Area

OPTIONS

- Gauge with Gauge Guard
- Pressure Differential Gauge and Switch
- EPDM Seals
- Cartridge Adapters
- Hinged Basket
- 316 Stainless Steel Basket

MATERIALS

- GFPP per ASTM D4101, Cell Class 85580
- FPM Standard O-Ring Seals

TECHNICAL INFORMATION

SELECTION CHART

SIZE*	MATERIAL	END CONNECTIONS	PIPING SIZES	SEALS	FLOW RATE	PRESSURE RATING
Double Length 7" x 32"	GFPP	GFPP (Threaded and Flanged), PVC/CPVC (Socket and PP Socket Fusion)	2-1/2" – 4" (DN65–DN100)	FPM or EPDM	150 GPM	150 PSI @ 70°F 10 Bar @ 21°C Non-Shock

* PVC and CPVC socket ends available to ISO 727-1 and threaded ends to BS21.
PP socket fusion ends per ASTM F2389 and threaded ends per BS21.
Flanged ends available in DIN/EN PN10.

"Patented" Pat. No.: 9,630,127

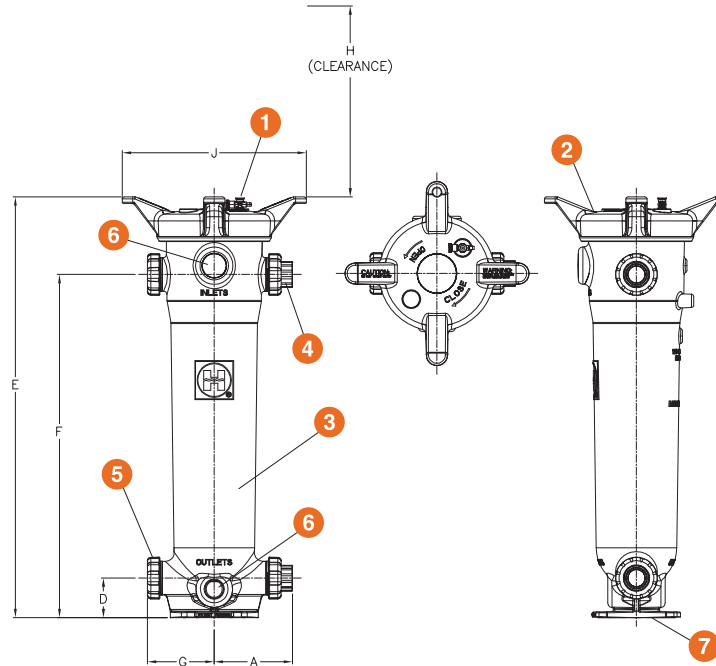
FLV Series Simplex Bag Filters

DOUBLE LENGTH – 32" GFPP
2-1/2" TO 4" PIPE SIZES

TECHNICAL INFORMATION, CONTINUED

PARTS LIST*

1. Vent Valve (Included)
2. Cover
3. Filter Body
4. End Connector
5. Assembly Nut
6. Alternate 2" NPT Ports
7. Integrally Molded Mounting Pad



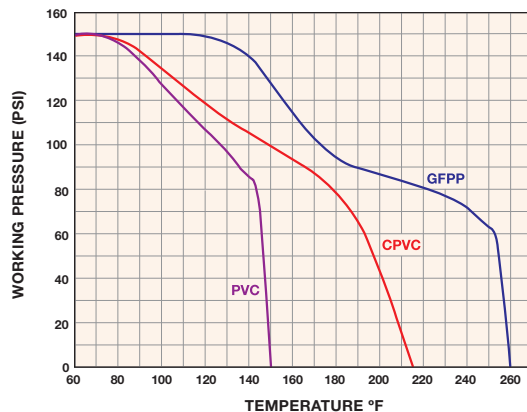
DIMENSIONS

FILTER SIZE in / DN	A in / mm	D in / mm	E in / mm	F in / mm	G in / mm	H* in / mm	J in / mm
2-1/2" / 65	9.79 / 249	4.50 / 114	47.83 / 1215	39.00 / 991	8.38 / 213	31.25 / 794	20.93 / 532
3" / 80	9.73 / 247	4.50 / 114	47.83 / 1215	39.00 / 991	8.38 / 213	31.25 / 794	20.93 / 532
4" / 100	10.17 / 258	4.50 / 114	47.83 / 1215	39.00 / 991	8.38 / 213	31.25 / 794	20.93 / 532

Dimensions are subject to change without notice – consult factory for installation information

* Clearance from top for basket removal

OPERATING TEMPERATURE / PRESSURE



Hayward recommends that you monitor your pressure differential with a differential gauge or pressure gauges



Hayward is a registered trademark of Hayward Industries, Inc. © 2019 Hayward Industries, Inc.

SPECIFICATIONS

- Material of Construction:** GFPP
- Inlet Connections:** GFPP (Threaded or Flanged)
PVC (Socket)
CPVC (Socket)
- Outlet Connections:** GFPP (Threaded or Flanged)
PVC (Socket)
CPVC (Socket)
- Bag Size:** Bag Size #2: 7" x 32"
- Pressure Rating:** 150 PSI @ 70°F Non-Shock
- O-Ring Seals:** FPM or EPDM
- Bag Ratings:** 1, 5, 10, 25, 50, 100, 150, 200, 400, 600 and 800 Microns
- Flow Rate:** 150 GPM (May be Limited by Pipe Size or Bag Choice)
- Weight:** 71.4 lbs.