

NEW PRODUCT PREVIEW
HCF SERIES
COMMERCIAL SAND FILTERS

HCF Series sand filters set a new standard for performance and longevity in Life Support Systems for Aquariums and Zoos, Aquaculture, Water Parks and other Aquatic systems. Designed to efficiently lengthen filter cycles, they are also simple to install and maintain, giving you years of effective, worry-free filtration performance.

KEY FEATURES & BENEFITS

- Available in 30", 34" and 36" Sizes
- 50PSI Max Working Pressure
- EPDM O-ring and Seals
- UV-protectant gel coat protects the filter from the elements
- Transparent manway design simplifies operation and improves durability
- Multi-diffuser Distribution Heads and Oversized Laterals Improve Filtration and Lengthen Filter Cycle Time
- Robust PVC and ABS injection-molded internals with slotted laterals provide high performance and resistance in corrosive applications
- Valve and pressure gauge configuration offer durability and increased accuracy
- NSF/ANSI 50 Listed

OPTIONS

- Hayward GG Series Gauges & Gauge Guards for Saltwater Applications
- Multiport Valve

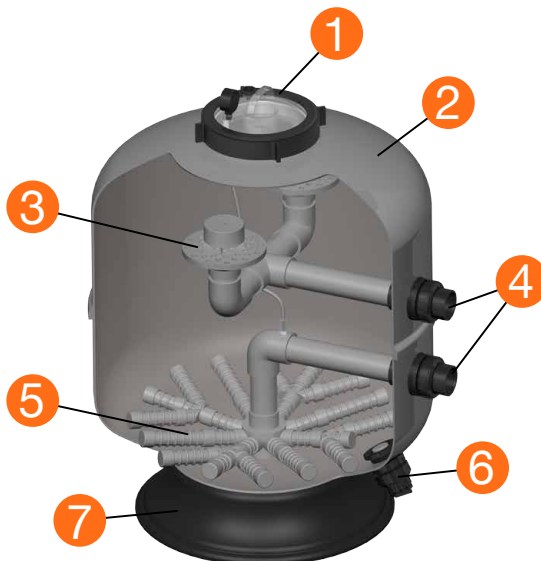
APPLICATIONS

- Aquariums & Zoos
- Aquaculture and Fisheries
- Water Features
- Leisure Centers

NOTE: Hayward GG Series Gauges & Gauge Guards are Recommended for Saltwater Applications supporting sealife. See reverse for options.



Certified to
NSF/ANSI 50



HCF Series

COMMERCIAL SAND FILTERS

TECHNICAL INFORMATION, CONTINUED

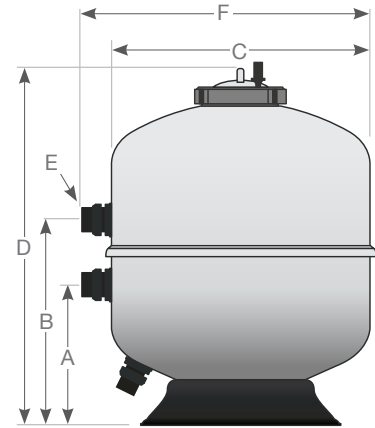
PARTS LIST / 2D DRAWINGS

- | | |
|----------------------------------|---------------|
| 1. 8" Manway | 5. Laterals |
| 2. Gel-coated FRP Body | 6. Drain Port |
| 3. Multi-diffuser Head | 7. GFPP Base |
| 4. PVC True Union End Connection | |

GAUGE GUARDS & GAUGES FOR SALTWATER APPLICATIONS

DESCRIPTION	PART NUMBER
GG Series PVC Gauge Guard (1/4"x1/4")	GG125X25
GG Series PVC Gauge Guard with Standard Gauge (1/4"x1/4", 0-60 PSI)	GG125X25060
GG Series PVC Gauge Guard with Stainless Steel Gauge (1/4"x1/4", 0-60 PSI)	GG125X25160SL

Optional Gauge Guards & Gauges sold separately.



DIMENSIONS

FILTER PART NUMBER	A in / mm	B in / mm	C in / mm	D in / mm	E in / DN	F in / mm	SAND QTY. LBS / KG	INSTALLATION CLEARANCE in / mm	
								VERT.	HOR.
HCF230C	16.25 / 413	23.75 / 603	31.49 / 800	42.6 / 1082	2 / 50	34 / 864	600 / 272	18 / 457	4 / 102
HCF234C*	18.75 / 476	26.25 / 667	33.85 / 860	46.4 / 1179	2 / 50	38 / 965	750 / 340	18 / 457	4 / 102
HCF236C	18.75 / 476	26.25 / 667	37.4 / 950	47.6 / 1209	2.5 / 65	41 / 1041	900 / 408	18 / 457	4 / 102
HCF336C	18.5 / 470	26.22 / 666	37.4 / 950	47.6 / 1209	3 / 80	42 / 1067	900 / 408	18 / 457	4 / 102

TECHNICAL SPECIFICATIONS & PERFORMANCE DATA

Part Number	HCF230C		HCF234C		HCF236C		HCF336C	
Size of Fiberglass Sand Filter	30"		34"		36"		36"	
Filtration Area/ft ² /M ²	4.9	0.45	6.31	0.59	7.05	0.65	7.05	0.65
Filtration Rate GPM/ft ²	5-20		5-20		5-20		5-20	
Filtration Flow Rate at 12 GPM/ft ² (GPM) (LPM)	58	222	75	286	84	320	84	320
Filtration Flow Rate at 15 GPM/ft ² (GPM) (LPM)	73	278	94	358	105	400	105	400
Filtration Flow Rate at 20 GPM/ft ² (GPM) (LPM)	98	370	126	476	141	533	141	533
Backwash Flow Rate GPM/ft ²	5-20		5-20		5-20		5-20	
Maximum Working Pressure (PSI)	50		50		50		50	
Multiport Valve Part Number	HCV275C		HCV275C		HCV2575C		HCV375*	
Inlet/Outlet Connection Type	Union / Socket		Union / Socket		Union / Socket		Union/ANSI Flange	
Inlet/Outlet Port Diameter	2"		2"		2.5"		3"	

*PN HCV375 requires field plumbing.



Hayward is a registered trademark of Hayward Industries, Inc. © 2023 Hayward Industries, Inc.

NPP0323

Contact Hayward Flow Control with questions:

USA: 1.888.429.4635 • Fax: 1.888.778.8410 • One Hayward Industrial Drive • Clemmons, NC 27012 • Email: hflow@hayward.com
Canada: 1.888.238.7665 • Fax: 1.905.829.3636 • 2880 Plymouth Drive • Oakville, ON L6H 5R4 • Email: hflowcanada@hayward.com
 Visit us at: haywardflowcontrol.com