

HRSN2 Series Electronic Fail-Safe Actuators Battery/Supercapacitor Backup



FOR BALL UP TO 6" AND
BUTTERFLY VALVES UP TO 4"

KEY FEATURES

- 24VAC/VDC operation standard, with 120vac and 230vac transformer options available
- Up to 440"lbs torque for ball valves up to 6" and butterfly valves up to 4"
- Field selectable fail CW or CCW operation for complete flexibility
- Self-Contained charge and discharge control of the reserve bank provides maximum life from the reserve energy system
- Status indicators show reserve health
- Reserve bank is field replaceable to minimize down-time
- Reserve System Fault-Out contact is standard and allows remote monitoring of reserve system performance.
- Two (2) 1/2" EMT ports for ease of field wiring
- NEMA 4/4x/IP67 Compliant
- ISO5211 Mechanical mount w/ double-square female drive socket

HRS Series Electronic Fail-Safe Actuators are intended to provide positive positioning in power-fail conditions.

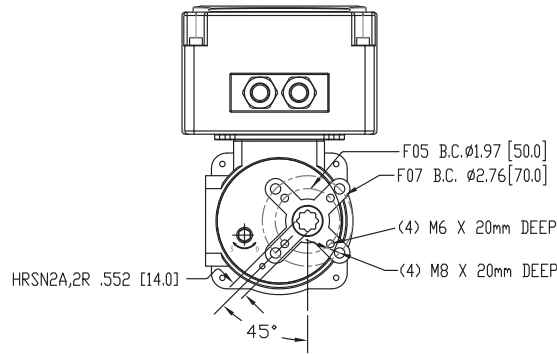
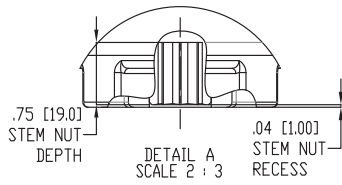
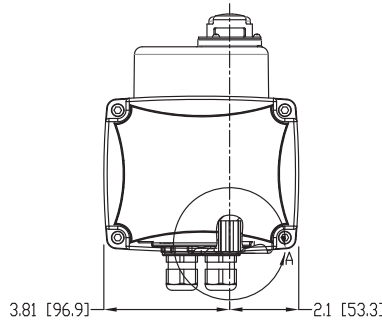
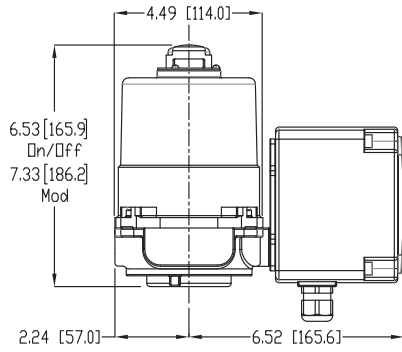


HRSN2
HRSN3
HRSN4
HRSN5

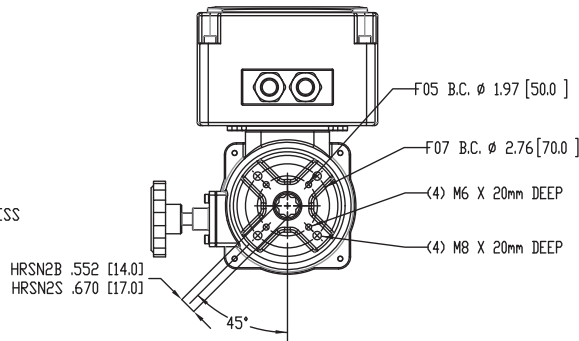
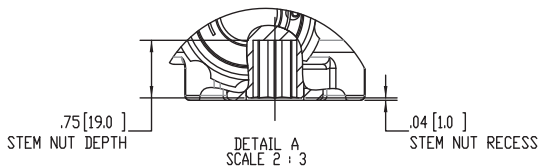
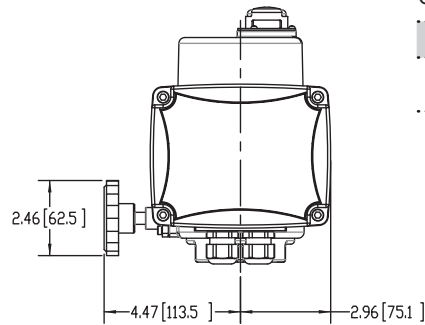
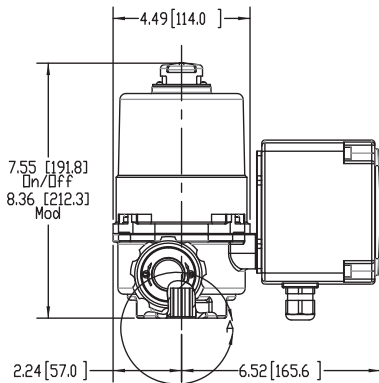
TECHNICAL INFORMATION					
ACTUATOR SPECIFICATIONS		HRSN2A..2X/3X	HRSN2B..20/30	HRSN2R..2X/3X	HRSN2S..20/30
Supply	Torque Output (in-lb / Nm)	310 / 35	310 / 35	440 / 50	440 / 50
	Current Draw (Start/Run/LRA)	2.1A / 1.2A / 2.3A	2.1A / 1.2A / 2.3A	2.1A / 1.2A / 2.3A	2.1A / 1.2A / 2.3A
24VAC	Speed (90°) DC-60Hz/50Hz, seconds	8 / 8	8 / 8	10 / 10	10 / 10
24VDC	Motor - 24V DC Perm Magnet 2 Pole Brush	6W	6W	6W	6W
	Duty Cycle (IEC60034)	75% (S2-15 min) / 75% (S4-75%)			
	Motor Protection, Temp / Class	All - 130°C / Class B			
	Motor Starts, per hour, Max	All - 600			
120VAC	Requires 120:24 Transformer Pack, 100VA	HRSBBC120-100	HRSBBC120-100	HRSBBC120-100	HRSBBC120-100
230VAC	Requires 230:24 Transformer Pack, 100VA	HRSBBC230-100	HRSBBC230-100	HRSBBC230-100	HRSBBC230-100
	Manual Override	Bottom 8mm Hex Shaft	Hand Wheel	Bottom 8mm Hex Shaft	Hand Wheel
	Environmental Rating	NEMA 4/4X & IP67			
	Electrical Entry (2)	1/2" EMT or Polyamide gland			
	Control	On/Off, Proportional			
	Auxiliary Switch - End of Travel	(2) Form A Volt-Free, Rated 3A @ 250vac			
All	Ambient Operating Range	-22°F to +158°F / -30°C to +70°C			
	Humidity Range	0-95% RH			
	Altitude Limit	9850 ft / 3000 m			
	RESERVE SPECIFICATIONS	HRSN2A~HRSN2S			
	Type - Battery	22.2V Lithium-Ion pack with charge / discharge control (20 Series)			
	Type - Supercapacitor	28V 60F Supercapacitor Bank with Charge/Discharge Control (30 Series)			

HRSN2 Series Electronic File-Safe Actuators Battery Backup

FOR BALL UP TO 6" AND BUTTERFLY VALVES UP TO 4"



		COVER REMOVAL CLEARANCE	WEIGHT
MODEL	TYPE	IN/MM	LBS/KG
HRSN2A	on/off - All	4.93 / 125	12.1 / 5.5
	Mod - LV / HV	4.93 / 125	14.3 / 6.5
HRSN2R	on/off - All	4.93 / 125	12.1 / 5.5
	Mod - LV / HV	4.93 / 125	14.3 / 6.5



		COVER REMOVAL CLEARANCE	WEIGHT
MODEL	TYPE	IN/MM	LBS/KG
HRSN2B	on/off - All	4.93 / 125	12.5 / 5.7
	Mod - LV / HV	4.93 / 125	14.7 / 6.7
HRSN2S	on/off - All	4.93 / 125	12.5 / 5.7
	Mod - LV / HV	4.93 / 125	14.7 / 6.7



Hayward is a registered trademark of Hayward Industries, Inc. © 2020 Hayward Industries, Inc.

USA: 1.888.429.4635 • Fax: 1.888.778.8410 • One Hayward Industrial Drive • Clemmons, NC 27012 • Email: hfcsales@hayward.com
 Canada: 1.888.238.7665 • Fax: 1.905.829.3636 • 2880 Plymouth Drive • Oakville, ON L6H 5R4 • Email: hfcanada@hayward.com
 Visit us at: haywardflowcontrol.com