



HRSN2 Series On/Off & Proportional Electric Actuators



FOR BALL UP TO 6" AND
BUTTERFLY VALVES UP TO 4"
KEY FEATURES

- Units are equipped with two (2) volt-free Form A Auxiliary switches
- ISO5211 compliant mounting with a double square female drive socket
- Raised visual position indicator
- NEMA 4X/IP67 compliant
- Two (2) EMT entry ports with sealed cable glands

OPTIONS

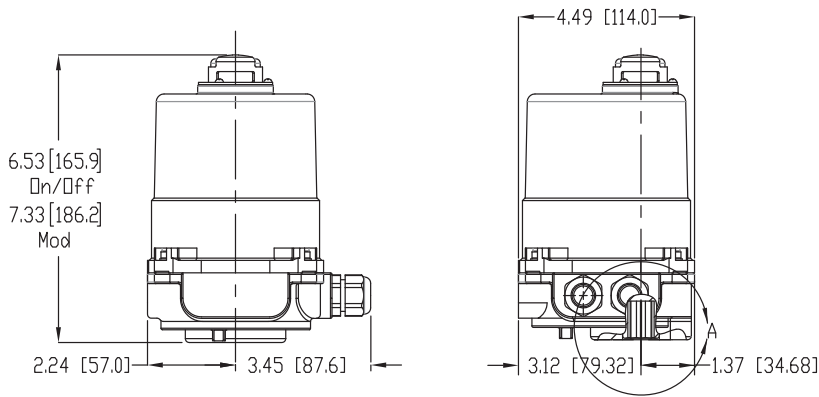
- Manual Override Handwheel
- Local Control Stations
- IP68 Submersion
- Battery Backup and Supercap Backup

TECHNICAL INFORMATION

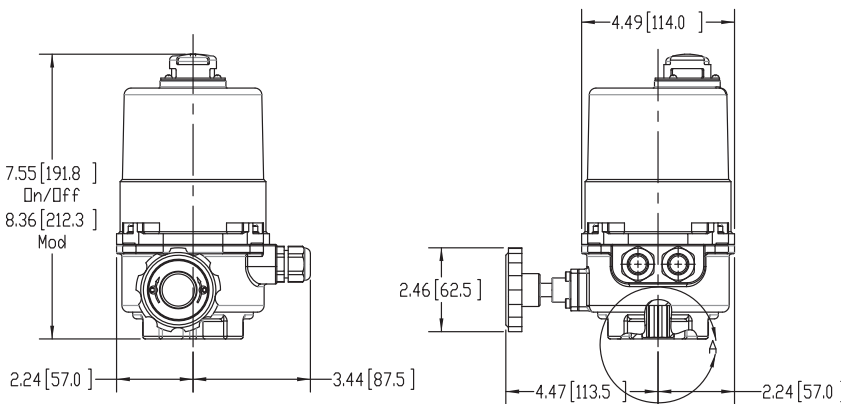
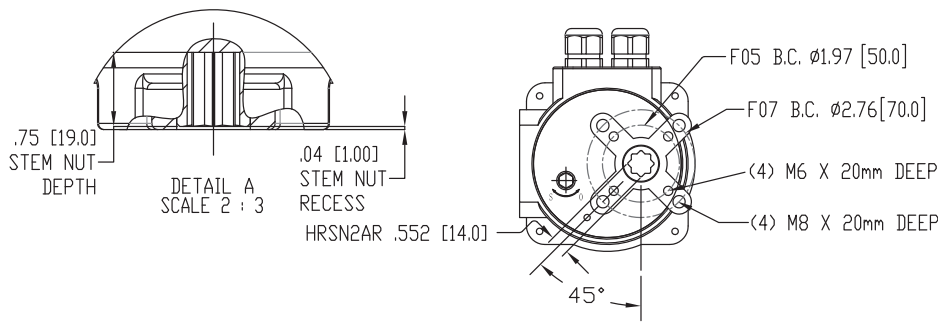
ACTUATOR SPECIFICATIONS		HRSN2A	HRSN2B	HRSN2R	HRSN2S
Supply	Torque Output (in-lb / Nm)	310 / 35	310 / 35	440 / 50	440 / 50
12VAC*	Current Draw (Start / Run / LRA)	3.5A / 2.0A / 3.8A	3.5A / 2.0A / 3.8A	3.5A / 2.0A / 3.8A	3.5A / 2.0A / 3.8A
	Speed (90°) DC-60Hz/50Hz, seconds	8 / 8	8 / 8	10 / 10	10 / 10
	Motor - 12V DC Perm Magnet 2 Pole Brush	6W	6W	6W	6W
	On/Off / Proportional	Duty Cycle (IEC60034) 75% (S2-15 min) / 75% (S4-75%) Motor Protection, Temp / Class All - 130°C / Class B Motor Starts, per hour, Max All - 600			
12VDC*	Current Draw (Start / Run / LRA)	2.1A / 1.2A / 2.3A	2.1A / 1.2A / 2.3A	2.1A / 1.2A / 2.3A	2.1A / 1.2A / 2.3A
	Speed (90°) DC-60Hz/50Hz, seconds	8 / 8	8 / 8	10 / 10	10 / 10
	Motor - 24V DC Perm Magnet 2 Pole Brush	6W	6W	6W	6W
	On/Off / Proportional	Duty Cycle (IEC60034) 75% (S2-15 min) / 75% (S4-75%) Motor Protection, Temp / Class All - 130°C / Class B Motor Starts, per hour, Max All - 600			
24VAC	Current Draw (Start / Run / LRA)	0.4A / 0.4A / 0.5A	0.4A / 0.4A / 0.5A	0.4A / 0.4A / 0.5A	0.4A / 0.4A / 0.5A
	Speed (90°) 60Hz / 50Hz, seconds	9 / 11	9 / 11	13 / 15	13 / 15
	Motor - 120V Capacitor Run TENV	10W	10W	10W	10W
	On/Off - Std Duty / On/Off - Ext Duty & Proportional	Duty Cycle (IEC60034) 25% (S2-15 min) / 75% (S4-75%) Motor Protection, Temp / Class 155°C / Class F / 180°C / Class H Motor Starts, per hour, Max 600 / 1200			
24VDC	Current Draw (Start / Run / LRA)	0.2A / 0.2A / 0.3A	0.2A / 0.2A / 0.3A	0.2A / 0.2A / 0.3A	0.2A / 0.2A / 0.3A
	Speed (90°) 60Hz / 50Hz, seconds	9 / 11	9 / 11	13 / 15	13 / 15
	Motor - 230V Capacitor Run TENV	10W	10W	10W	10W
	On/Off - Std Duty / On/Off - Ext Duty & Proportional	Duty Cycle (IEC60034) 25% (S2-15 min) / 75% (S4-75%) Motor Protection, Temp / Class 155°C / Class F / 180°C / Class H Motor Starts, per hour, Max 600 / 1200			
120VAC	Manual Override	Bottom 8mm Hex Shaft	Hand Wheel	Bottom 8mm Hex Shaft	Hand Wheel
	Environmental Rating	NEMA 4/4X & IP67			
	Electrical Entry (2)	1/2" EMT or Polyamide gland			
	Control	On/Off, Proportional, 2 Pos RO, RC & 3 Position			
All	Auxiliary Switch - End of Travel	(2) Form A Volt-Free, Rated 3A @ 250vac			
	Ambient Operating Range	-22°F to +158°F (-30°C to +70°C)			
	Humidity Range	0-95% RH			
	Altitude Limit	9850 ft / 3000 m			

HRSN2 Series On/Off & Proportional Electric Actuators

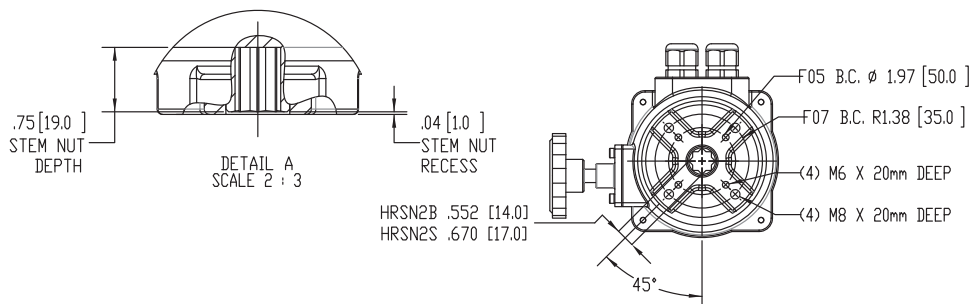
FOR BALL UP TO 6" AND BUTTERFLY VALVES UP TO 4"



MODEL	TYPE	COVER REMOVAL CLEARANCE		WEIGHT LBS/KG
		IN	MM	
HRSN2A	on/off - All	4.93	125	6.6 / 3.0
	Mod - LV / HV			8.8 / 4.0
HRSN2R	on/off - All	4.93	125	6.6 / 3.0
	Mod - LV / HV			8.8 / 4.0



MODEL	TYPE	COVER REMOVAL CLEARANCE		WEIGHT LBS/KG
		IN	MM	
HRSN2B	on/off - All	4.93	125	7.0 / 3.2
	Mod - LV / HV			9.3 / 4.2
HRSN2S	on/off - All	4.93	125	7.0 / 3.2
	Mod - LV / HV			9.3 / 4.2



Hayward is a registered trademark of Hayward Industries, Inc. © 2020 Hayward Industries, Inc.

USA: 1.888.429.4635 • Fax: 1.888.778.8410 • One Hayward Industrial Drive • Clemmons, NC 27012 • Email: hfcsales@hayward.com
 Canada: 1.888.238.7665 • Fax: 1.905.829.3636 • 2880 Plymouth Drive • Oakville, ON L6H 5R4 • Email: hflowcanada@hayward.com
 Visit us at: haywardflowcontrol.com