

HRSN4A~4D Series Electronic Fail-Safe Actuator Battery Backup



KEY FEATURES

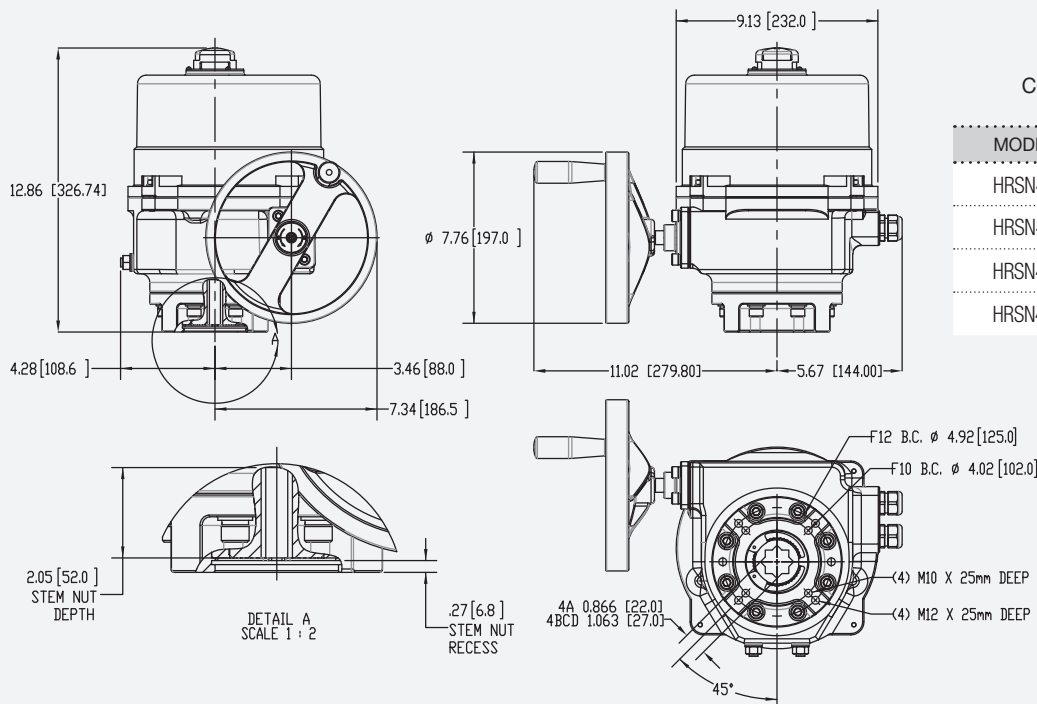
- Stored Energy System provides positive valve positioning upon loss of mains power
- Up to 8850"lbs torque for butterfly valves up to 14"
- 24VAC/VDC operation standard, with 120vac and 230vac transformer options available
- Field selectable fail CW or CCW operation for complete flexibility
- Self-Contained charge and discharge control of the Lithium-Ion Battery provides maximum life from the reserve energy system
- Battery Pack is field replaceable to minimize down-time
- Stored Energy status indicators show system health
- Fault-Out contact is standard and allows remote monitoring of the stored energy system performance.
- ISO5211 Mechanical mount with removable double-square female drive socket
- Two (2) 3/4" EMT ports for ease of field wiring
- NEMA 4/4X & IP67 compliant
- Optional Torque Switches

HRS Series Electronic Fail-Safe Actuators are intended to provide positive positioning in power-fail conditions.



HRSN2
HRSN3
HRSN4
HRSN5

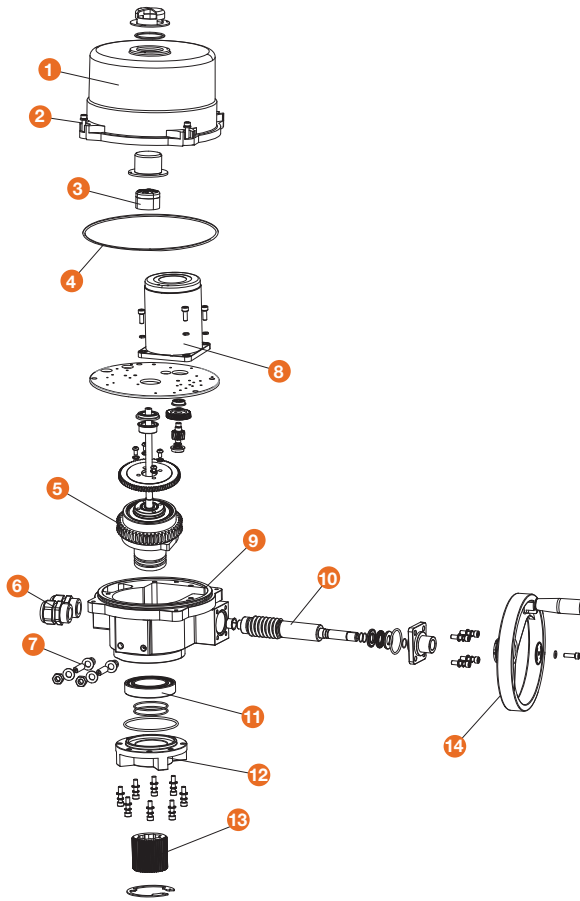
TECHNICAL INFORMATION



MODEL	COVER REMOVAL CLEARANCE	WEIGHT
	IN/MM	LBS/KG
HRSN4A	8 / 200	57.2 / 26
HRSN4B	8 / 200	57.2 / 26
HRSN4C	8 / 200	57.2 / 26
HRSN4D	8 / 200	57.2 / 26

HRSN4A~4D Series Electronic Fail-Safe Actuator Battery Backup

FOR BALL AND BUTTERFLY VALVES UP TO 14"



PARTS LIST

1. Cast Aluminum Cover
2. Captured Cover Screws
3. High Visibility Position Indicator
4. Cover O-Ring Seal
5. Epicyclic Transmission Set
6. EMT Glands
7. External Mechanical Stops
8. Drive Motor
9. Cast Aluminum Housing
10. Worm Override Shaft
11. Heavy Final Drive Bearing
12. ISO5211 Flange
13. Splined Drive Insert
14. Handwheel w/Collapsible Knob

ACTUATOR SPECIFICATIONS		HRSN4A..20	HRSN4B..20	HRSN4C..20	HRSN4D..20
Supply	Torque Output (in-lbs / Nm)	3540 / 400	5310 / 600	7080 / 800	8850 / 1000
	Current Draw (Start / Run / LRA)	7.0A / 5.8A / 15A	7.0A / 5.8A / 15A	7.0A / 5.8A / 15A	10.5A / 7.8A / 22A
24VAC	Speed (90°) DC-60Hz/50Hz, seconds	21 / 21	28 / 28	34 / 34	34 / 34
24VDC	Motor - 24V DC Perm Magnet 2 Pole Brush	40W	40W	40W	90W
	Duty Cycle (IEC60034)	75% (S2-15 min) / 75% (S4-75%)			
	Motor Protection, Temp / Class	All - 130°C / Class B			
	Motor Starts, per hour, Max	All - 600			
120VAC	Requires 120:24 Transformer Pack, 500VA	HRSBBC120-500	HRSBBC120-500	HRSBBC120-500	HRSBBC120-500
230VAC	Requires 230:24 Transformer Pack, 500VA	HRSBBC230-500	HRSBBC230-500	HRSBBC230-500	HRSBBC230-500
	Manual Override	Clutchless Handwheel	Clutchless Handwheel	Clutchless Handwheel	Clutchless Handwheel
	Environmental Rating	NEMA 4/4X & IP67			
	Electrical Entry (2)	3/4" EMT or Polyamide gland			
	Control	On/Off, Proportional			
	Auxiliary Switch - End of Travel	(2) Form A Volt-Free, Rated 10A @ 250vac			
	Ambient Operating Range	-22°F to +158°F / -30°C to +70°C			
	Humidity Range	0-95% RH			
	Altitude Limit	9850 ft / 3000 m			
	BATTERY SPECIFICATIONS	HRSN4A~4D (20 SERIES)			
	Type	22.2V Lithium-Ion pack with charge / discharge control			



Hayward is a registered trademark of Hayward Industries, Inc. © 2021 Hayward Industries, Inc.

USA: 1.888.429.4635 • Fax: 1.888.778.8410 • One Hayward Industrial Drive • Clemmons, NC 27012 • Email: hfcsales@hayward.com
 Canada: 1.888.238.7665 • Fax: 1.905.829.3636 • 2880 Plymouth Drive • Oakville, ON L6H 5R4 • Email: hflowcanada@hayward.com
 Visit us at: haywardflowcontrol.com