

NEW PRODUCT PREVIEW
**HXCSN 2B, 2S Series
Electric Actuators for
Hazardous Locations**
KEY FEATURES & BENEFITS

- Designed for use in hazardous locations
- Available from 310”lbs to 440”lbs torque
- 120VAC operation standard, with 24VAC/VDC, 230VAC options available
- Units equipped with two (2) volt-free Form A Auxiliary switches
- Anti-Condensate heater standard
- ISO5211 compliant mechanical mount w/ double-square female drive socket
- Two (2) 1/2” EMT ports for ease of field wiring
- NEMA 4/4X/IP66 Compliant
- Visual position indicator
- Manual override handwheel

Notice: Due to certification regulations and traceability requirements, this product is non-cancellable and non-returnable. Verify the product and certifications are approved for the project prior to ordering.



ATEX / IECEx CERTIFIED
 Ex II G Ex db IIC T6 Gb
 Ex II D Ex tb IIIC T85°C / T100°C / T135°C Db


TECHNICAL INFORMATION

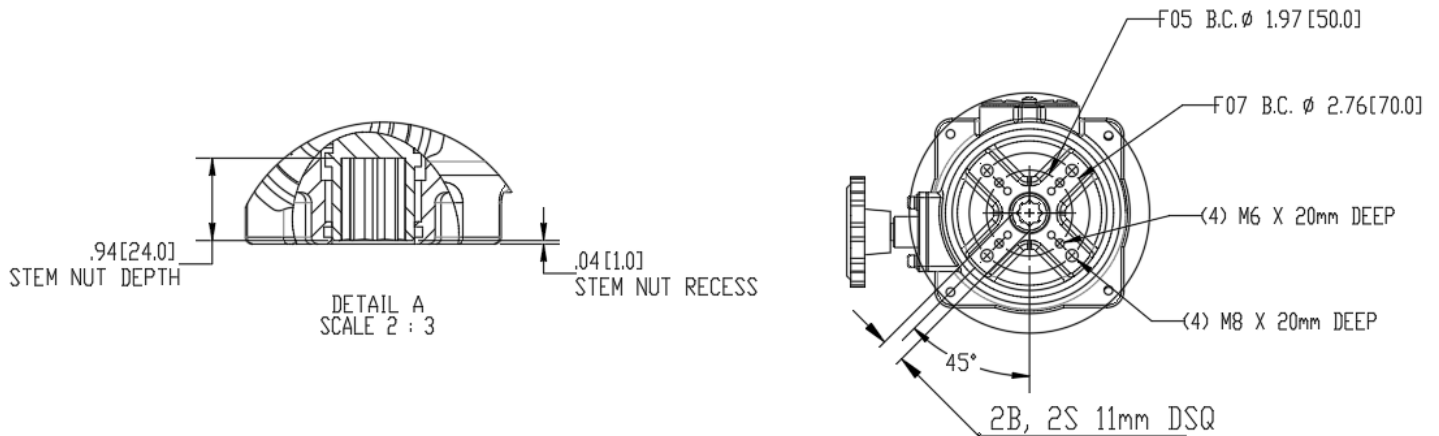
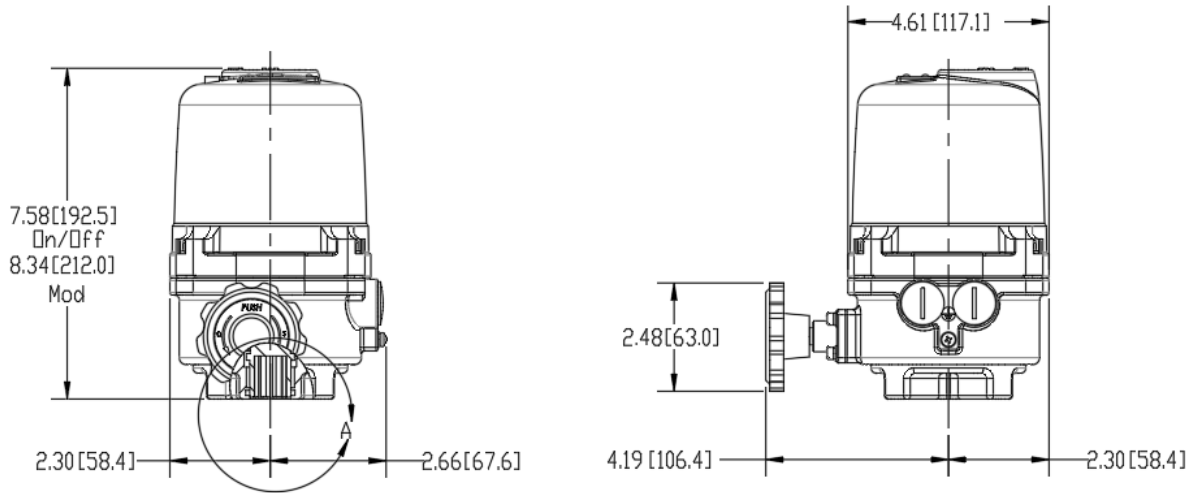
ACTUATOR SPECIFICATIONS		HXCSN2B	HXCSN2S
Supply	Torque Output (in-lb / Nm)	310 / 35	440 / 50
24VAC	Current Draw (Start / Run / LRA)	2.1A / 1.2A / 2.3A	2.1A / 1.2A / 2.3A
-	Speed (90°) DC-60Hz/50Hz, seconds	8 / 8	10 / 10
24VDC	Motor - 24V DC Perm Magnet 2 Pole Brush	6W	6W
	Current Draw (Start / Run / LRA)	0.4A / 0.4A / 0.5A	0.4A / 0.4A / 0.5A
120VAC	Speed (90°) 60Hz / 50Hz, seconds	9 / 11	13 / 15
	Motor - 120V Capacitor Run TENV	10W	10W
	Current Draw (Start / Run / LRA)	0.2A / 0.2A / 0.3A	0.2A / 0.2A / 0.3A
230VAC	Speed (90°) 60Hz / 50Hz, seconds	9 / 11	13 / 15
	Motor - 230V Capacitor Run TENV	10W	10W
	Manual Override	Hand Wheel	Hand Wheel
	Electrical Entry (2)	1/2" EMT w/ Polyamide dust cap	
	Control	On/Off, Proportional	
All	Auxiliary Switch - End of Travel	(2) Form A Volt-Free, Rated 3A @ 250vac	
	Ambient Operating Range	-40°F to +149°F (-40°C to +65°C)	
	Humidity Range	0-95% RH	
	Altitude Limit	9850 ft / 3000 m	

HXCSN 2B, 2S Series Electric Actuators for Hazardous Locations

TECHNICAL INFORMATION, CONTINUED



ATEX / IECEx CERTIFIED
 Ex II G Ex db IIC T6 Gb
 Ex II D Ex tb IIC T85°C / T100°C / T135°C Db



MODEL	TYPE	COVER REMOVAL CLEARANCE		HANDWHEEL		WEIGHT
		IN/MM	IN/MM	# TURNS FOR 90°	LBS/KG	
HXCSN2B	on/off - All	4.93 / 125	2.46 / 62.5	12 turns 90°	7.0 / 3.2	
	Mod - LV / HV				9.3 / 4.2	
HXCSN2S	on/off - All	4.93 / 125	2.46 / 62.5	12 turns 90°	7.0 / 3.2	
	Mod - LV / HV				9.3 / 4.2	



Hayward is a registered trademark of Hayward Industries, Inc. © 2021 Hayward Industries, Inc.

NPP0821A

USA: 1.888.429.4635 • Fax: 1.888.778.8410 • One Hayward Industrial Drive • Clemmons, NC 27012 • Email: hfcsales@hayward.com
 Canada: 1.888.238.7665 • Fax: 1.905.829.3636 • 2880 Plymouth Drive • Oakville, ON L6H 5R4 • Email: hflowcanada@hayward.com
 Visit us at: haywardflowcontrol.com