

NEW PRODUCT PREVIEW
LCH Series Ball Valve

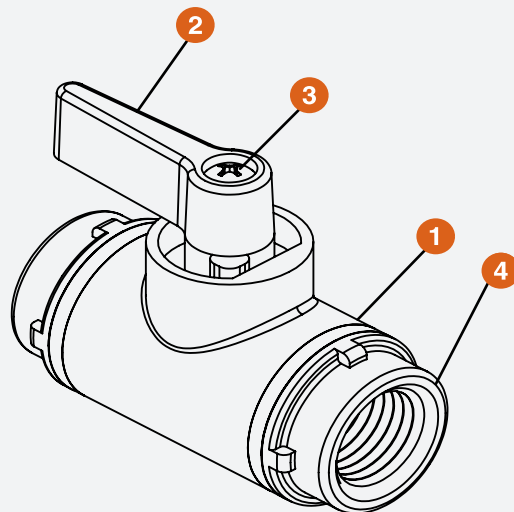
1/4" PVC

KEY FEATURES

- Available in PVC
- Ideal for Laboratory Service
- Quarter Turn Ball Valve Design
- Available with FNPT, MNPT, and Barb Connections
- Superior Sealing Design
- High Visibility Orange Handle
- EPDM or FPM Seats and Seals

MATERIALS

- PVC Cell Class 12454 per ASTM D1784
- EPDM O-Ring Seals
- FPM O-Ring Seals


TECHNICAL INFORMATION

SELECTION CHART

SIZE	MATERIAL	END CONNECTION	SEALS	PRESSURE RATING
1/4"	PVC	FNPT x FNPT MNPT x MNPT Barb x Barb	EPDM FPM	150 PSI @ 70°F 10 Bar @ 21°C Non-Shock

FNPT = female NPT pipe thread, MNPT = male NPT pipe thread

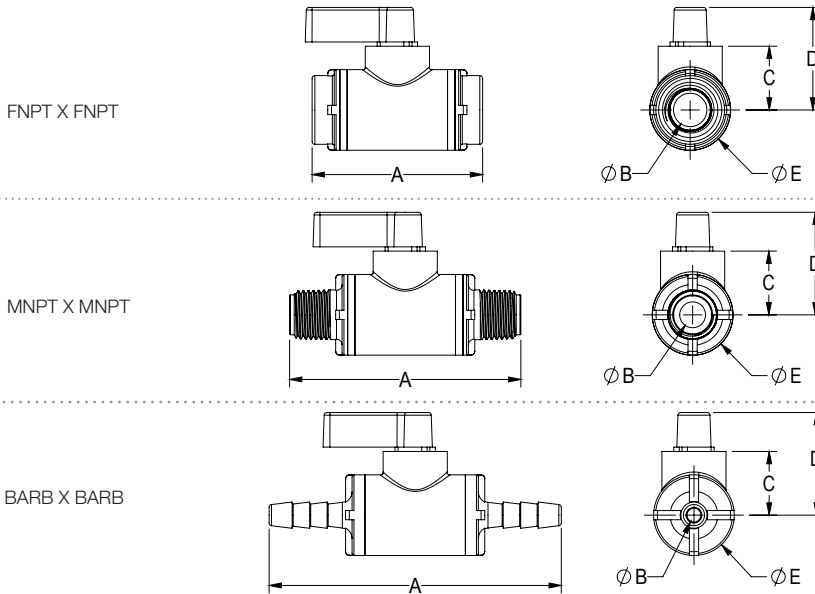
PARTS LIST

1. Body
2. Handle
3. Handle Screw
4. End Connector

LCH Series Ball Valve

1/4" PVC

TECHNICAL INFORMATION, CONTINUED



DIMENSIONS

SIZE	END CONNECTION	A in / mm	B in / mm	C in / mm	D in / mm	E in / mm	WEIGHT lbs / g
1/4"	FNPT X FNPT	1.85 / 47.0	0.27 / 6.9	0.69 / 17.5	1.11 / 28.2	0.88 / 22.4	0.06 / 27
1/4"	MNPT X MNPT	2.51 / 63.8	0.27 / 6.9	0.69 / 17.5	1.11 / 28.2	0.88 / 22.4	0.08 / 36
1/4"	Barb x Barb	3.17 / 80.5	0.16 / 4.1	0.69 / 17.5	1.11 / 28.2	0.88 / 22.4	0.06 / 23

Cv VALUES

SIZE	END CONNECTION	Cv VALUE
1/4"	FNPT x FNPT	2.6
1/4"	MNPT x MNPT	2.6
1/4"	Barb x Barb	0.6

PRESSURE LOSS CALCULATION FORMULA

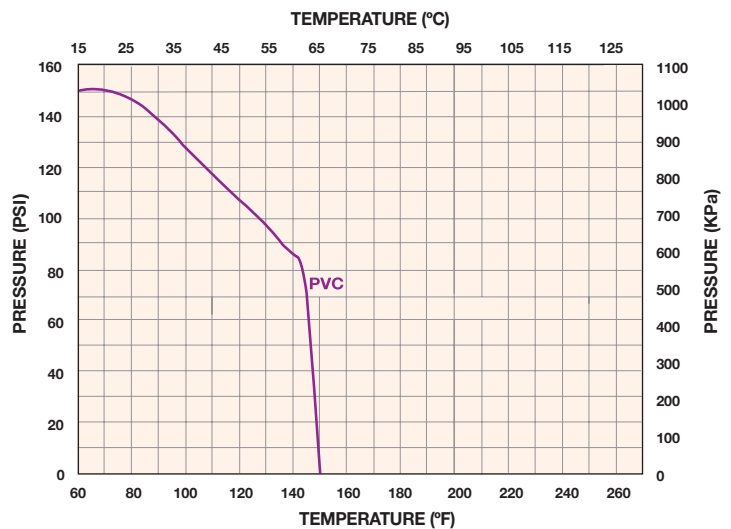
$$\Delta P = \left[\frac{Q}{Cv} \right]^2$$

ΔP = Pressure Drop

Q = Flow in GPM

Cv = Flow Coefficient

OPERATING TEMPERATURE/PRESSURE



Hayward is a registered trademark of Hayward Industries, Inc.
© 2024 Hayward Industries, Inc.