

NEW



TB Series True Union Ball Valves

1/4" - 2" PVDF

KEY FEATURES

- Available in sizes 1/4" - 2"
- Threaded or Socket Fusion (IPS) Ends
- Full Port Design
- FPM O-Ring Seals Standard, EPDM upon request
- Reversible PTFE Seats
- Double O-Ring Stem Seals
- Available with Electric or Pneumatic Actuation

OPTIONS

- Manual Limit Switches
- Pneumatic and Electric Actuators

MATERIALS

- Natural PVDF per ASTM D3222 Type 1
- FPM O-Ring Seals
- PTFE Seat

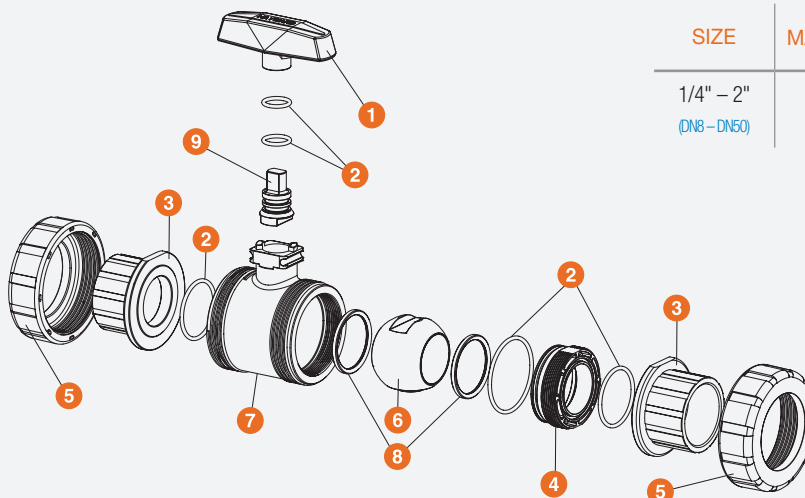
TYPICAL APPLICATIONS

- Chemical Processing, Handling and Feed Applications
- Water and Wastewater Treatment
- Pulp and Paper
- Marine and Corrosive Environments

*For installation, see IOM

TECHNICAL INFORMATION

EXPLODED VIEW



SELECTION CHART

SIZE	MATERIAL	END CONNECTION	SEALS	PRESSURE RATING
1/4" - 2" (DN8 - DN50)	PVDF	Threaded or Socket Fusion (IPS)	FPM	150 PSI @ 70°F 10 Bar @ 21°C Non-Shock

TB Series True Union Ball Check Valves

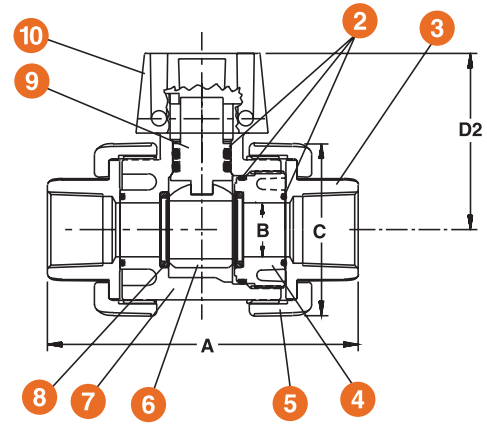
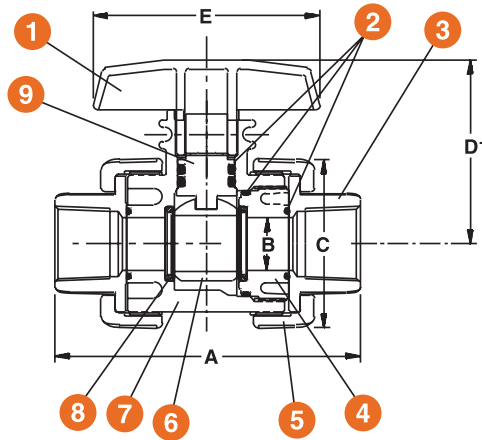
1/4" - 2" PVDF

TECHNICAL INFORMATION, CONTINUED

PARTS LIST

1. Handle-PVC
2. O-Ring Seals-FPM or EPDM
3. End Connector-PVDF
4. Seal Retainer-PVDF
5. Union Nut-PVDF
6. Ball-PVDF
7. Body-PVDF
8. PTFE Seats
9. Stem-PVDF
10. Actuator Mounting Pad

* Mounting bracket sold separately



DIMENSIONS

SIZE in / DN	A in / mm	B in / mm	C in / mm	D1 in / mm	D2 in / mm	E in / mm	WEIGHT
							lbs / kg
							SOC / THD
1/4 / 8	4.65 / 118	.49 / 13	2.23 / 57	2.80 / 71	2.62 / 67	3.50 / 89	.75 / .34
3/8 / 10	4.65 / 118	.49 / 13	2.23 / 57	2.80 / 71	2.62 / 67	3.50 / 89	.75 / .34
1/2 / 15*	4.65 / 118	.49 / 13	2.23 / 57	2.80 / 71	2.62 / 67	3.50 / 89	.75 / .34
3/4 / 20*	4.84 / 123	.74 / 19	2.59 / 66	2.98 / 76	2.77 / 71	3.50 / 89	.75 / .34
1 / 25*	5.33 / 135	.93 / 24	2.98 / 76	3.31 / 84	3.10 / 79	4.00 / 102	1.15 / .52
1-1/2 / 40*	6.66 / 169	1.44 / 37	3.97 / 101	3.84 / 98	3.4 / 86	5.00 / 127	2.15 / .98
2 / 50*	7.88 / 200	1.88 / 48	4.64 / 118	4.33 / 110	3.9 / 99	5.00 / 127	3.80 / 1.72

Dimensions are subject to change without notice – consult factory for installation information

Cv VALUES

SIZE in / DN	Cv VALUES
1/4 / 8	1.0
3/8 / 10	2.8
1/2 / 15	8.0
3/4 / 20	16.0
1 / 25	29.0
1-1/2 / 40	90.0
2 / 50	150.0

PRESSURE LOSS CALCULATION FORMULA

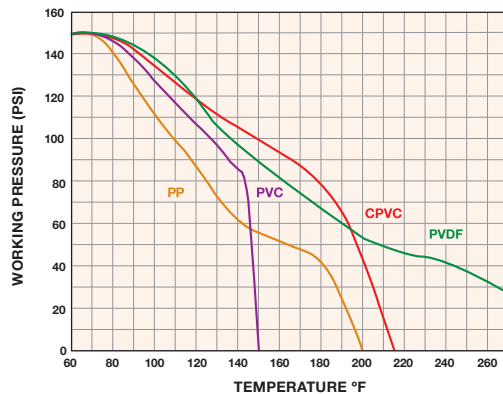
$$\Delta P = \left[\frac{Q}{C_v} \right]^2$$

ΔP = Pressure Drop

Q = Flow in GPM

Cv = Flow Coefficient

OPERATING TEMPERATURE/PRESSURE



Hayward is a registered trademark
of Hayward Industries, Inc.
© 2022 Hayward Industries, Inc.

USA: 1.888.429.4635 • Fax: 1.888.778.8410 • One Hayward Industrial Drive • Clemmons, NC 27012 • Email: hfcsales@hayward.com

Canada: 1.888.238.7665 • Fax: 1.905.829.3636 • 2880 Plymouth Drive • Oakville, ON L6H 5R4 • Email: hfcanada@hayward.com

Visit us at: haywardflowcontrol.com