

NEW PRODUCT PREVIEW

WCV Series Full Pattern Large Diameter Wafer Check Valves

10" & 12" PVC AND CPVC

KEY FEATURES

- Robust Full Pattern Body
- Available in PVC and CPVC
- No Special Spacers or Flanges Required
- High Cv Rating, Saves on Energy and Pump Wear
- Contoured Inlet Port for Reduced Head Loss
- One-Piece Disc and Shaft Design
- Lower Closing Pressure than Swing Check Valves
- Integral Bolt Eyes and Hand Grip for Ease of Installation
- Can be Installed in Vertical or Horizontal Position
- Pressure Rated to 150 PSI/PN10 in All Sizes

OPTIONS

- 316 Stainless Steel or Hastelloy® Disc Spring

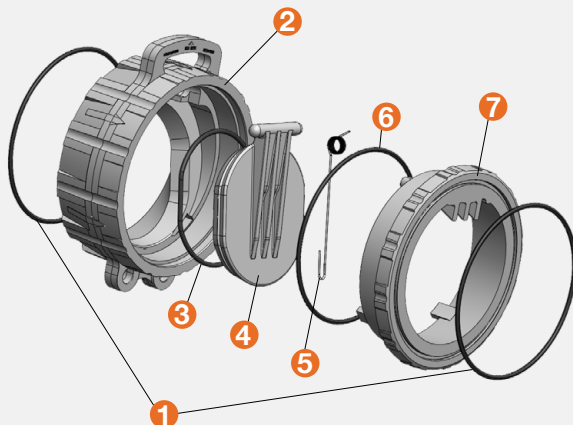
MATERIALS

- PVC per ASTM D1784 Cell Class 12454
- CPVC per ASTM D1784 Cell Class 23447
- FPM or EPDM Body and Disc Seals


TECHNICAL INFORMATION
SELECTION CHART

SIZE	MATERIAL	END CONNECTION	O-RING	SPRING	PRESSURE RATING
10" – 12"* (DN250 only)	PVC and CPVC	Wafer	FPM or EPDM	316 SS, Hastelloy®	150 PSI @ 70°F 10 Bar @ 21°C Non-Shock

*10" / DN250 suitable for use with both ANSI Class 150 and DIN / EN PN10 flanges


OPENING / SEALING PRESSURE - PSI

SIZE	OPENING PRESSURE	SEALING PRESSURE
	WITH SPRING	WITH OR WITHOUT SPRING
10" – 12" (DN250 only)	0.5	3.0

"Patented" Pat. No: 8,887,757 and Other Patents Pending

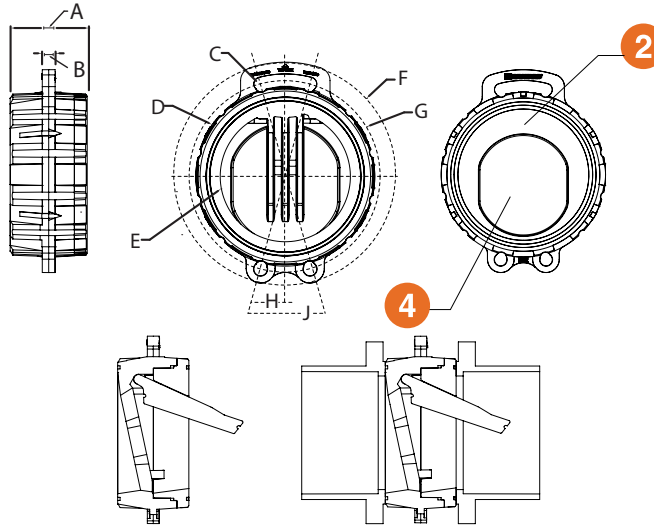
WCV Series Full Pattern Large Diameter Wafer Check Valves

10" & 12" PVC AND CVPC

TECHNICAL INFORMATION, CONTINUED

PARTS LIST

1. Face Seal O-Ring
2. Body
3. Wafer Disc O-Ring
4. Wafer Disc
5. Wafer Disc Spring
6. Body O-Ring
7. Retainer Ring

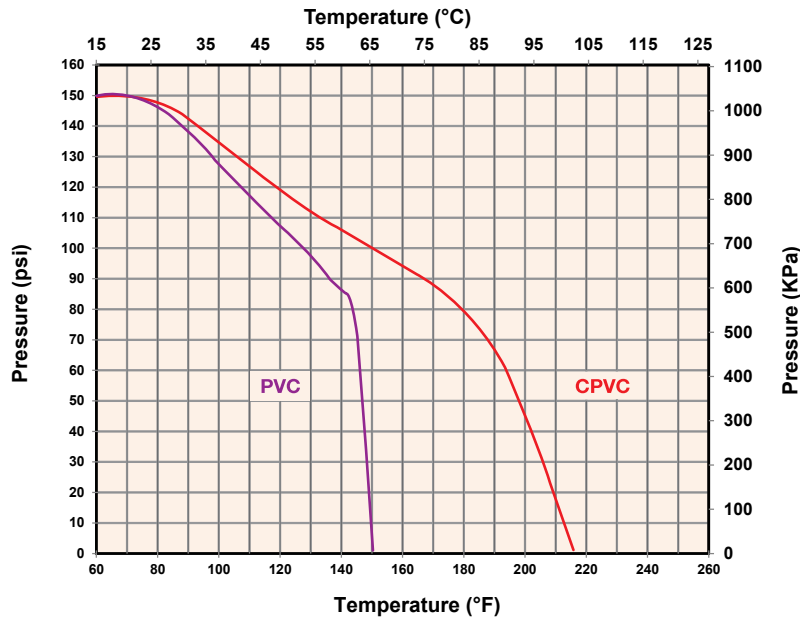


DIMENSIONS

SIZE in / DN	A in / mm	B in / mm	C in / mm	D in / mm	E in / mm	F in / mm	G in / mm	H Degree°	J Degree°
10 / 250	6.25 / 158.75	1.04 / 26.42	1.00 / 25.40	13.22 / 335.79	9.70 / 246.38	17.00 / 431.80	14.25 / 361.95	15	30
12	7.50 / 190.50	1.25 / 31.75	1.00 / 25.40	16.00 / 406.40	11.70 / 297.18	20.00 / 508.00	17.00 / 431.80	15	30

Pressure Rating for ALL Sizes – 150 PSI / 10 Bar @ 70°F / 21°C Non-Shock
10" / DN250 suitable for use with both ANSI Class 150 and DIN / EN PN10 flanges

OPERATING TEMPERATURE/PRESSURE



Cv VALUES

SIZE in / DN	Cv VALUES
10 / 250	2249
12	3164

PRESSURE LOSS CALCULATION FORMULA

$$\Delta P = \left[\frac{Q}{C_v} \right]^2$$

ΔP = Pressure Drop

Q = Flow in GPM

Cv = Flow Coefficient



Hayward is a registered trademark
of Hayward Industries, Inc.
© 2023 Hayward Industries, Inc.

USA: 1.888.429.4635 • Fax: 1.888.778.8410 • One Hayward Industrial Drive • Clemmons, NC 27012 • Email: hfcsales@hayward.com
Canada: 1.888.238.7665 • Fax: 1.905.829.3636 • 2880 Plymouth Drive • Oakville, ON L6H 5R4 • Email: hflowcanada@hayward.com
Visit us at: haywardflowcontrol.com