



define
design
deliver



YSH Series Y-Strainer

OVERVIEW



YSH Series
True Union Design

Introducing YSH Series, the most advanced thermoplastic Y-Strainer available from Hayward Flow Control. With a new, patent-pending design that prioritizes low maintenance and ease of installation and service. The YSH Series features an increased barrel size and optimized barrel angle, resulting in improved flow performance and higher straining capacity. Additionally, the YSH Series incorporates a one-piece PVC or CPVC screen, molded-in flow direction arrows, color-coded barrel nuts, and permanent body markings for clear material identification.

Available in 1/2" - 2" / DN15 - DN50 in PVC, Clear PVC and CPVC materials with either EPDM or FPM O-Rings.

KEY FEATURES AND BENEFITS

- One-piece Injection Molded Body
- Increased Barrel Size & Capacity and Optimized Barrel Angle
- Increased Flow Capacity, Cv, on All Sizes
- 150 PSI /10 bar, non-shock at 70°F / 23°C full pressure rating
- External, Buttress Barrel Threads
- Available with Integral Threaded or Socket ends, and True Union Socket, Threaded and Flanged ends
- Barrel nut with designated color coding for PVC (Orange) and CPVC (Black)
- Barrel sealed via piston seal on Retainer
- 1/32" (800 micron) Perforation as standard screen
- Increased Open Area on Screen Elements
- Screen element snap fits to Retainer
- EPDM or FPM O-Rings

OPTIONS AND ACCESSORIES

- Blow out drain port – drill and tap
- Stainless steel and alloy perf and mesh screens
- Drilled & tapped boss access points for pressure gauges for sizes 1" / DN25 and larger
- Other O-Ring materials available

MATERIALS

- PVC per ASTM D1784 Cell Class 12454
- Clear PVC per ASTM D1784 Cell Class 12454
- CPVC per ASTM D1784 Cell Class 23447
- FPM and EPDM O-Rings



YSH Series
Integral Ends Socket
or Threaded Design



BACKED BY HAYWARD
FLOW CONTROLS
GLOBAL THREE
YEAR WARRANTY



YSH Series Y-Strainer

FEATURES & BENEFITS

Performance

- New streamlined design with optimized barrel capacity
- Increased Flow Capacity (Cv) over previous generation
- Increased Open Area on Screen Elements
- Low pressure drop minimizing resistance to flow, reducing energy usage and increasing overall efficiency
- Pressure rating of 150 PSI / 10 Bar, non-shock at 70°F / 23°C
- Global capabilities – True Union strainers available with ANSI, DIN/EN and JIS connections



Dependability and Versatility

- One-piece Injection Molded Body, no fabrication or welds
- Flexible design for ease of installation – Integral with Threaded or Socket connections or True Union Socket, Threaded or Flanged Connections
- Optional drilled and tapped boss points for installation of pressure gauges to monitor differential pressure
- Optional drilled and tapped Retainer Cap for drain port or blow down valve
- Permanent snap-fit of barrel nut into mating groove on retainer results in single-piece handling while allowing the nut to spin freely during assembly to barrel threads
- Screen snaps into retainer for ease of removal, maintenance, or replacement

Safety

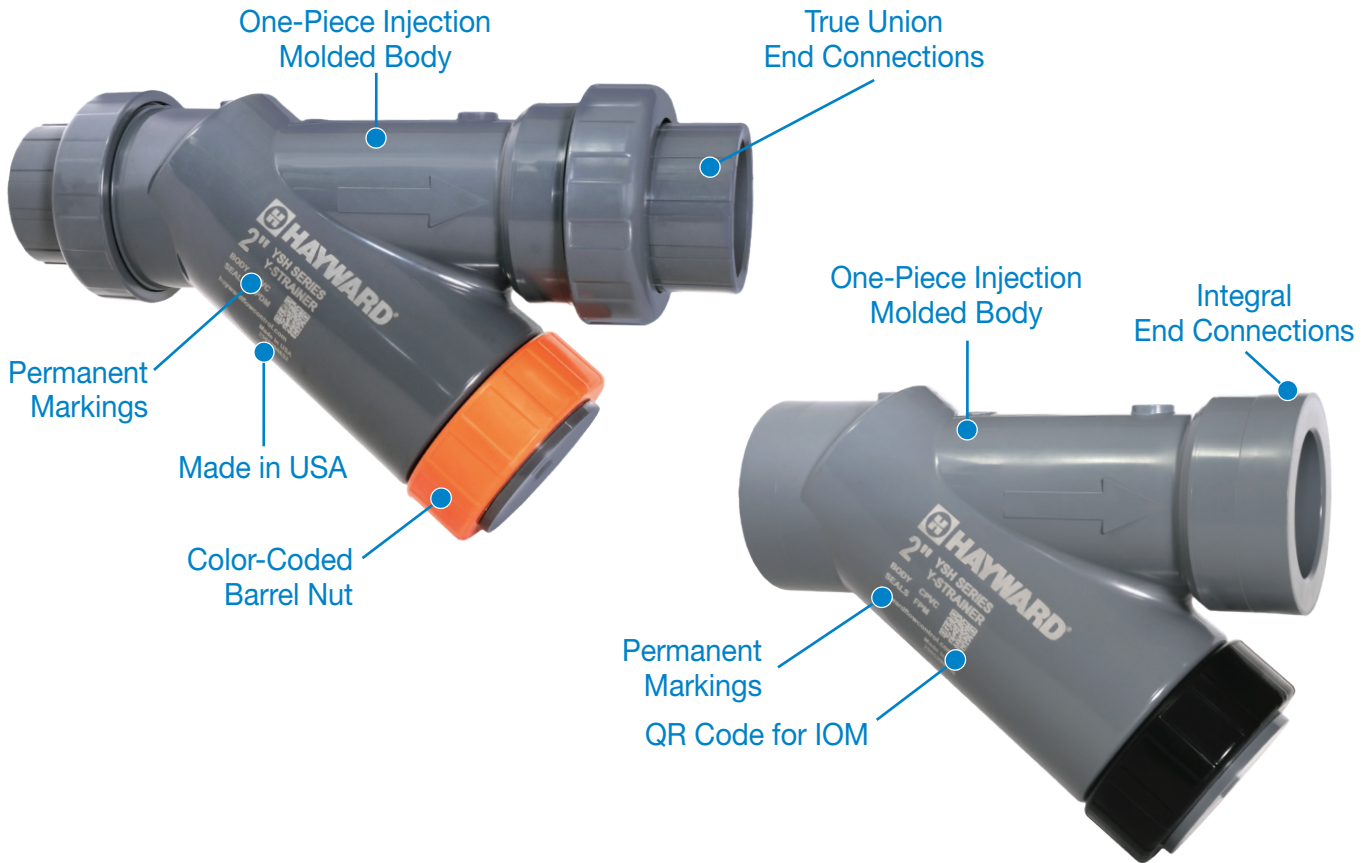
- Barrel nut and external barrel threads designed with buttress threads for increased strength
- Color-coded barrel nut for visual indication of strainer material – Orange for PVC or Black for CPVC
- Barrel nut and body barrel threads remain engaged and release pressure before barrel nut can be fully removed from body
- Permanent product markings and molded-in flow direction indicator on body
- One-Piece Perforated Thermoplastic Screen with welded end caps for increased strength and durability



YSH Series Y-Strainer

KEY FEATURES

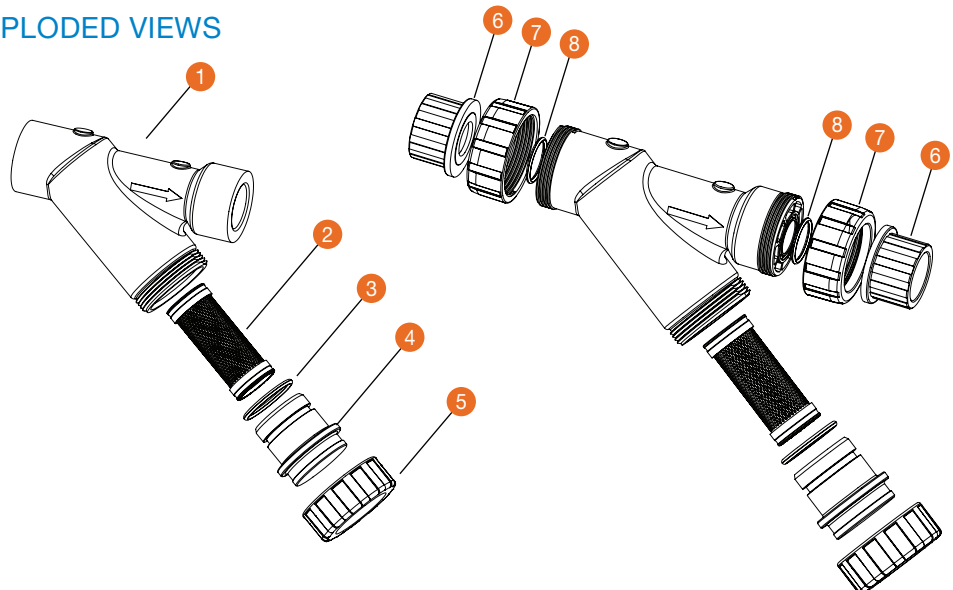
150 PSI / 10 Bar Rating,
Non-Shock at 70°F / 23°C



PARTS LIST

1. Body
2. Screen
3. Retainer O-Ring
4. Screen Retainer
5. Barrel Nut
6. True Union End Connector (2)
7. True Union Nut (2)
8. End Connector O-Ring (2)

EXPLODED VIEWS



YSH Series Y-Strainer

MULTIPLE MATERIALS AND JOINERY SOLUTIONS



PVC Integral Ends KEY FEATURES

- PVC One-piece Injection Molded Body
- Available with socket or threaded ends
- Ideal for applications up to 140°F / 60°C
- Optimized barrel design for increased Cv



PVC True Union Ends KEY FEATURES

- PVC One-piece Injection Molded Body
- Available with socket, threaded or flanged ends
- Ideal for applications up to 140°F / 60°C
- Optimized barrel design for increased Cv



Clear PVC Integral Ends KEY FEATURES

- Clear PVC One-piece Injection Molded Body
- Available with socket or threaded ends
- Ideal for applications up to 140°F / 60°C
- Optimized barrel design for increased Cv
- Clear PVC strainer element



Clear PVC True Union Ends KEY FEATURES

- Clear PVC One-piece Injection Molded Body
- Available with socket, threaded or flanged ends
- Ideal for applications up to 140°F / 60°C
- Optimized barrel design for increased Cv
- Clear PVC strainer element



CPVC Integral Ends KEY FEATURES

- CPVC One-piece Injection Molded Body
- Available with socket or threaded ends
- Ideal for applications up to 190° F / 88° C
- Optimized barrel design for increased Cv



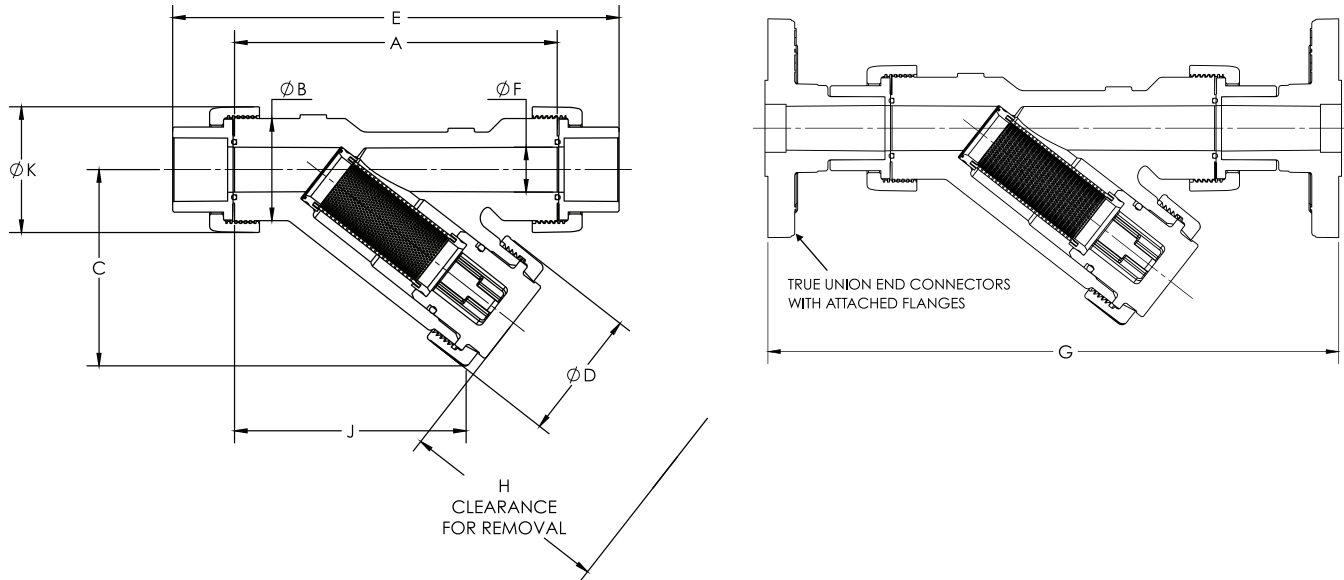
CPVC True Union Ends KEY FEATURES

- CPVC One-piece Injection Molded Body
- Available with socket, threaded or flanged ends
- Ideal for applications up to 190° F / 88° C
- Optimized barrel design for increased Cv

YSH Series Y-Strainer – True Union Design

TECHNICAL INFORMATION

2D DRAWINGS



DIMENSIONS – INCHES / MILLIMETERS

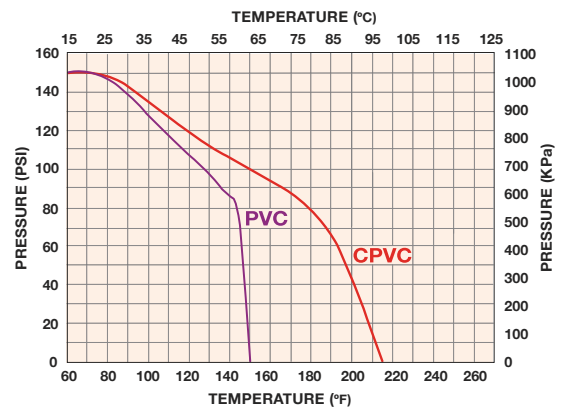
| SIZE | A | B | C | D | E | F | G | H | J | K |
|-------------|------------|-----------|------------|------------|-------------|-----------|-------------|------------|------------|------------|
| inches / DN | in / mm | in / mm | in / mm | in / mm | in / mm | in / mm | in / mm | in / mm | in / mm | in / mm |
| 1/2 / 15 | 5.04 / 128 | 1.53 / 39 | 2.89 / 73 | 2.00 / 51 | 7.22 / 183 | 0.53 / 13 | - | 3.30 / 84 | 3.27 / 83 | 1.93 / 49 |
| 3/4 / 20 | 5.76 / 146 | 1.76 / 45 | 3.20 / 81 | 2.14 / 54 | 8.10 / 206 | 0.72 / 18 | - | 3.84 / 98 | 4.04 / 103 | 2.25 / 57 |
| 1 / 25 | 6.72 / 171 | 2.13 / 54 | 4.07 / 103 | 2.72 / 69 | 9.30 / 236 | 0.94 / 24 | 12.01 / 305 | 4.65 / 118 | 4.86 / 123 | 2.62 / 67 |
| 1-1/4 / 32 | 8.25 / 210 | 2.70 / 69 | 5.37 / 136 | 3.47 / 88 | 11.64 / 296 | 1.25 / 32 | - | 6.05 / 154 | 6.31 / 160 | 3.34 / 85 |
| 1-1/2 / 40 | 8.25 / 210 | 2.70 / 69 | 5.37 / 136 | 3.47 / 88 | 12.20 / 310 | 1.48 / 38 | 15.46 / 393 | 6.05 / 154 | 6.31 / 160 | 3.34 / 85 |
| 2 / 50 | 9.90 / 251 | 3.64 / 92 | 6.17 / 157 | 4.04 / 103 | 14.03 / 356 | 1.93 / 49 | 17.55 / 446 | 7.15 / 182 | 7.31 / 186 | 4.25 / 108 |

WEIGHT – LBS / KG

CV VALUES

| SIZE | WEIGHT WITH TRUE UNION ENDS | PRODUCT SIZE | Cv VALUES | | | |
|-------------|-----------------------------|--------------|-------------------------|-------|------|-------|
| | | | Screen Perforation Size | | | |
| inches / DN | lbs / kg | inches / DN | 1/32" | 1/16" | 1/8" | 3/16" |
| 1/2 / 15 | 0.65 / 0.29 | 1/2 / 15 | 5.1 | 5.1 | 5.1 | 5.2 |
| 3/4 / 20 | 0.94 / 0.43 | 3/4 / 20 | 7.3 | 7.5 | 7.9 | 8.3 |
| 1 / 25 | 1.62 / 0.73 | 1 / 25 | 11.5 | 12.8 | 14 | 14.3 |
| 1-1/4 / 32 | 3.71 / 1.68 | 1-1/4 / 32 | 23.4 | 23.8 | 27.2 | 27.3 |
| 1-1/2 / 40 | 3.62 / 1.64 | 1-1/2 / 40 | 30.1 | 30.3 | 33.5 | 33.8 |
| 2 / 50 | 5.96 / 2.70 | 2 / 50 | 44.1 | 50.7 | 56.7 | 58.9 |

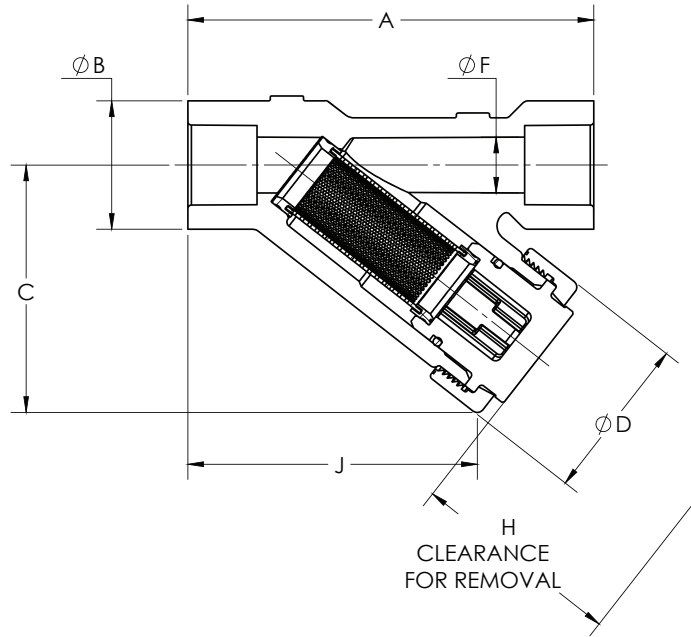
PRESSURE / TEMPERATURE CHART



YSH Series Y-Strainer – Integral Design

TECHNICAL INFORMATION

2D DRAWINGS



DIMENSIONS – INCHES / MILLIMETERS

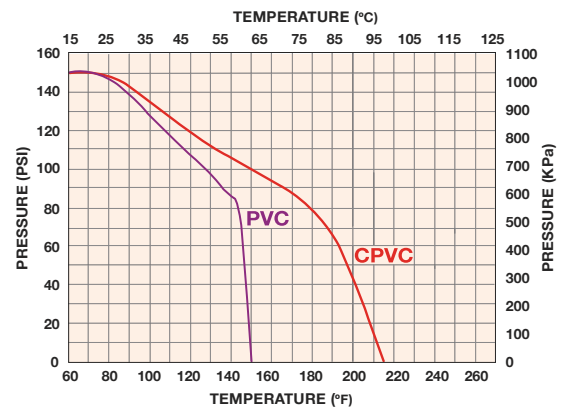
| SIZE | A | B | C | D | F | H | J |
|-------------|------------|-----------|------------|------------|-----------|------------|------------|
| inches / DN | in / mm | in / mm | in / mm | in / mm | in / mm | in / mm | in / mm |
| 1/2 / 15 | 5.04 / 128 | 1.53 / 39 | 2.89 / 73 | 2.00 / 51 | 0.53 / 13 | 3.30 / 84 | 3.27 / 83 |
| 3/4 / 20 | 5.76 / 146 | 1.76 / 45 | 3.20 / 81 | 2.14 / 54 | 0.72 / 18 | 3.84 / 98 | 4.04 / 103 |
| 1 / 25 | 6.72 / 171 | 2.13 / 54 | 4.07 / 103 | 2.72 / 69 | 0.94 / 24 | 4.65 / 118 | 4.86 / 123 |
| 1-1/4 / 32 | 8.25 / 210 | 2.70 / 69 | 5.37 / 136 | 3.47 / 88 | 1.25 / 32 | 6.05 / 154 | 6.31 / 160 |
| 1-1/2 / 40 | 8.25 / 210 | 2.70 / 69 | 5.37 / 136 | 3.47 / 88 | 1.48 / 38 | 6.05 / 154 | 6.31 / 160 |
| 2 / 50 | 9.90 / 251 | 3.64 / 92 | 6.17 / 157 | 4.04 / 103 | 1.93 / 49 | 7.15 / 182 | 7.31 / 186 |

WEIGHT – LBS / KG

CV VALUES

| SIZE | WEIGHT | PRODUCT SIZE | Cv VALUES | | | |
|-------------|-------------|--------------|-------------------------|-------|------|-------|
| | | | Screen Perforation Size | | | |
| inches / DN | lbs / kg | inches / DN | 1/32" | 1/16" | 1/8" | 3/16" |
| 1/2 / 15 | 0.49 / 0.22 | 1/2 / 15 | 5.1 | 5.1 | 5.1 | 5.2 |
| 3/4 / 20 | 0.69 / 0.31 | 3/4 / 20 | 7.3 | 7.5 | 7.9 | 8.3 |
| 1 / 25 | 1.22 / 0.55 | 1 / 25 | 11.5 | 12.8 | 14 | 14.3 |
| 1-1/4 / 32 | 3.05 / 1.38 | 1-1/4 / 32 | 23.4 | 23.8 | 27.2 | 27.3 |
| 1-1/2 / 40 | 2.90 / 1.32 | 1-1/2 / 40 | 30.1 | 30.3 | 33.5 | 33.8 |
| 2 / 50 | 4.68 / 2.12 | 2 / 50 | 44.1 | 50.7 | 56.7 | 58.9 |

PRESSURE / TEMPERATURE CHART



YSH Series Y-Strainer

SPECIFICATIONS

SAMPLE SPECIFICATION

All Thermoplastic Y-Strainers in sizes 1/2" – 2" (DN15 – DN50) shall be manufactured from PVC (ASTM D1784, Cell Classification 12454), Clear PVC, or CPVC (ASTM D1784, Cell Classification 23447). Strainer Body to be One-Piece Injection Molded construction with Integral Socket or Threaded connections, or with True Union Connections of FNPT, Socket or Flanged Ends. All O-Rings shall be EPDM or FPM as per the application requirements.

Removable Barrel Nut to be over bonnet design with buttress threads, allowing removal of the cap when needed for screen cleanout or strainer drainage. Barrel Nut to be color-coded for easy indication of body material – Orange for PVC and Clear PVC, and Black for CPVC. Standard screen shall be one-piece extruded construction with no welds or seams with 1/32" perforation (20-mesh equivalent) as standard and made of PVC, Clear PVC, or CPVC. Alternative screen materials, such as stainless steel, shall be available pending chemical compatibility, in different mesh sizes to meet straining requirements. Screen shall be separable and removable from Retainer Cap allowing for cleanout or replacement. Retainer Cap shall contain pocket for collection of debris strained from fluid.

All 1/2" – 2" (DN15 – DN50) Thermoplastic Y-Strainers shall be pressure-rated for 150 PSI (10 Bar) at 70°F (23°C) non-shock. All product information to be permanently marked on the body of the strainer and have a manufacturer's mark molded into the body.

Optional drilled and tapped ports on inlet and outlet ends of body for differential pressure measurements shall be available in sizes 1" and larger. Optional drilled and tapped port on Retainer Cap for drainage and cleanout shall be available.

All Y-Strainers shall carry a Global Three (3) year Warranty and shall be molded and manufactured by Hayward Flow Control in the USA.

TYPICAL APPLICATIONS

Typical applications or installations include but are not limited to municipal waste and water treatment, clean water technology, chemical transfer and processing, aquatic and animal life support systems, mining and mineral processing, metal plating / surface finishing, marine, pulp and paper, landfills / environmental infrastructure and other demanding applications.

PART NUMBER MATRIX*

| SERIES | BODY MATERIAL | SIZE | SYSTEM | END CONNECTION | SEALS | SCREEN MATERIAL | SCREEN PERF SIZE | TAP OPTIONS | OPTIONS |
|--------|---------------|------------|----------------------------|---|--------|-----------------------|------------------|--------------------------|---------|
| YSH | 1 | 050 | A | ST | V | 1 | 0 | 0 | 0 |
| YSH | 1 PVC | 050 1/2" | A ANSI | OS INTEGRAL SOCKET (ANSI - only) | V FPM | 1 PVC | 0 1/32" | 0 NONE | 0 NONE |
| | 2 CPVC | 075 3/4" | M DIN/EN (True Union Only) | OT INTEGRAL THREADED (ANSI - only) | E EPDM | 2 CPVC | 1 1/16" | D BLOW OUT PORT | |
| | 0 CLEAR PVC | 100 1" | J JIS (True Union Only) | ST TRUE UNION WITH SOCKET & THREADED END CONNECTORS | | 0 CLEAR PVC | 2 1/8" | G GAUGE PORTS | |
| | | 125 1-1/4" | | UF TRUE UNION WITH FLANGED ENDS | | S 316 STAINLESS STEEL | 3 3/16" | B BLOW OUT & GAUGE PORTS | |
| | | 150 1-1/2" | | | | M MONEL | A 20 MESH | | |
| | | 200 2" | | | | H HASTELLOY C | B 40 MESH | | |
| | | 015 DN15** | | | | T TITANIUM | C 60 MESH | | |
| | | 020 DN20** | | | | | D 80 MESH | | |
| | | 025 DN25** | | | | | E 100 MESH | | |
| | | 032 DN32** | | | | | | | |
| | | 040 DN40** | | | | | | | |
| | | 050 DN50** | | | | | | | |

* Consult price list and/or factory. Not all combinations of options are valid or available.

** True Union Only



Hayward is a registered trademark of Hayward Industries, Inc. © 2026 Hayward Industries, Inc.

YSHPG0226